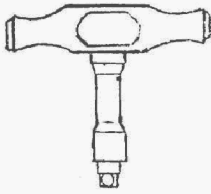


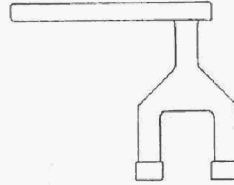


800-284-7737

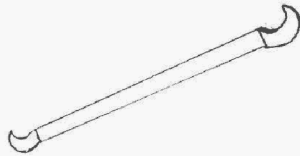
Quality Replacement Press Parts



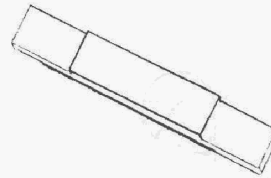
937800-0006
Blanket Bolt Torque Wrench



32382-0001
Unit Shifting Tool



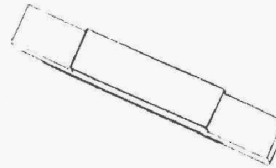
330378-0001
Key Bar - 29"
330378-0002
Key Bar - 17-1/2"



100326-0001
Blanket to Blanket Gauge
(.158 - .159)



91392-0001
Unit Shifting Lever

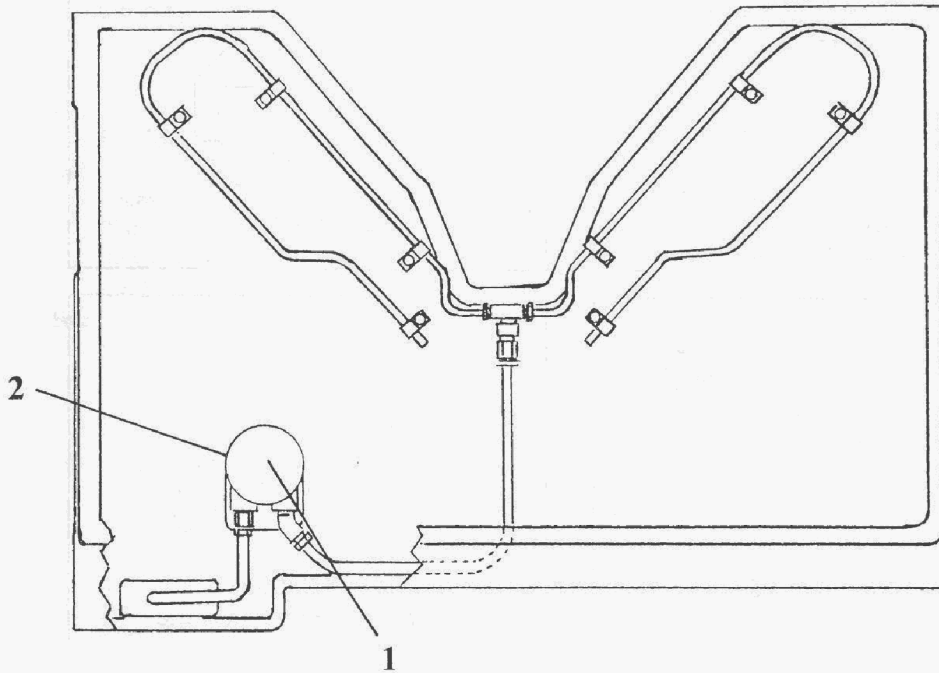


111397-0001
Blanket to Plate Gauge
(.091 - .092)



800-284-7737

Quality Replacement Press Parts



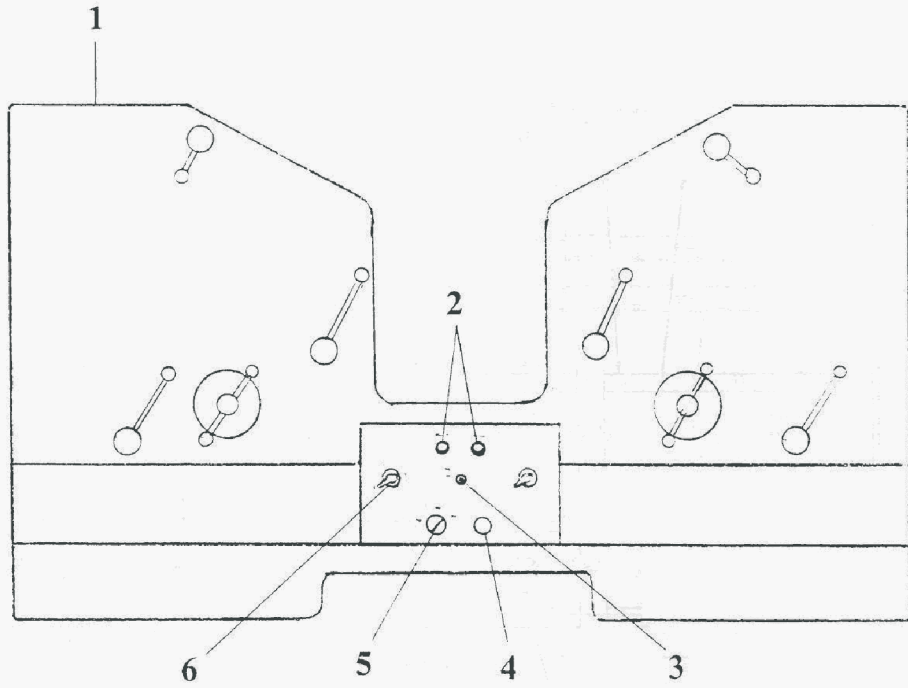
Unit Lubrication

| No. | Part No. | Description |
|-----|-------------|----------------------------------|
| 1 | 40059-1322 | Oil Pump |
| 2 | 95821-0001 | Oil Pump Gear |
| | 116628-0001 | Oil Pump Gear (SSC, C-150 Units) |



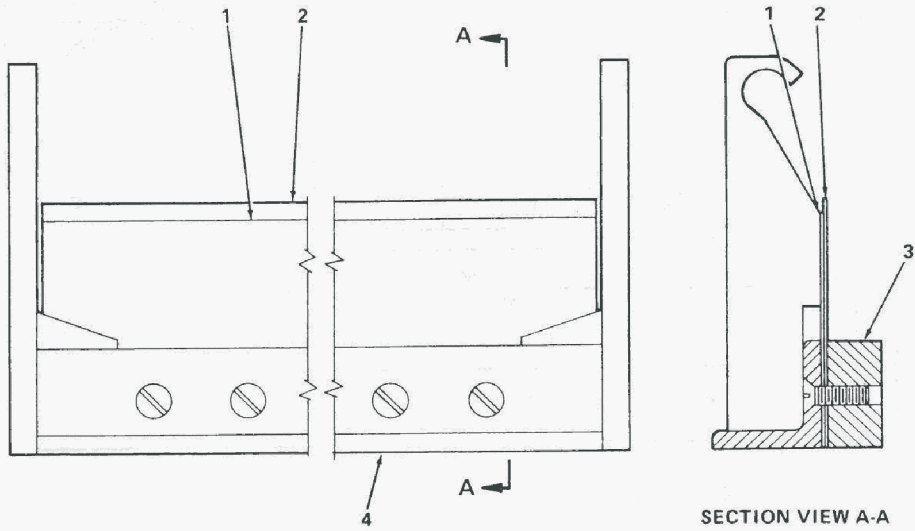
800-284-7737

Quality Replacement Press Parts



Operator Side Control Panel

| No. | Part No. | Description |
|-----|-------------|---|
| 1 | 30287-0001 | Operator Side Cover - New Style |
| | 30287-0002 | Operator Side Cover - Old Style |
| 2 | 107643-0001 | Dampener Fuse Holder |
| 2A | 769605-0005 | Dampener Fuse |
| 3 | 899776-8017 | On / Off Toggle Switch - Dampener Motor |
| 4 | 10250T30B | Inch Button |
| 5 | 10250T3213 | Stop / Safe Button |
| 6 | 62050-0002 | Variable Rheostat |



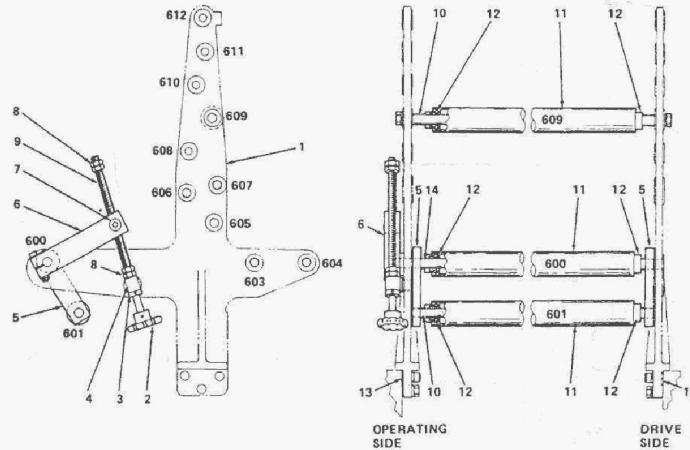
WASHUP DEVICE

| No. | Part No. | Description |
|-----|------------|-----------------------------------|
| 1 | 95811-0001 | Scrapper Spring |
| 2 | 95812-0001 | Scrapper Blade |
| 3 | 53128-0001 | Support Bar |
| 4 | 59956-0001 | Bracket |
| | 1291-0001 | Washup Device - Complete Assembly |



800-284-7737

Quality Replacement Press Parts



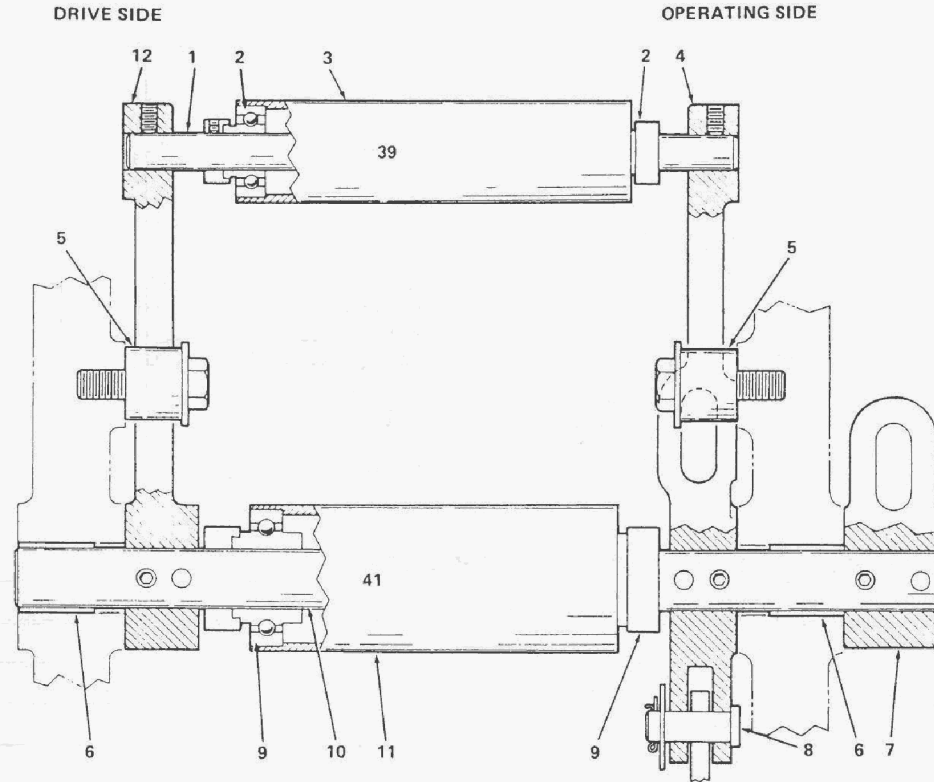
ROLLER BRACKET AND COMPENSATOR ASSEMBLY

| No. | Part No. | Description |
|-----|-------------|---------------------------|
| 1 | 5064-0001 | Frame |
| 2 | 108746-0001 | Handknob |
| 3 | 144279-0001 | Collar |
| 4 | 108745-0001 | Stud |
| | 144276-0001 | Stud - New Style |
| 5 | 108747-0001 | Inside Lever |
| | 144747-0001 | Inside Lever - New Style |
| 6 | 108748-0001 | Outside Lever |
| 7 | 108744-0001 | Swivel Pin |
| | 144281-0001 | Swivel Pin - New Style |
| 8 | 40149-3118 | Jam Nut |
| 9 | 108743-0001 | Adjusting Rod |
| | 144276-0001 | Adjusting Rod - New Style |
| 10 | 108642-0001 | Shaft |
| 11 | 108425-0001 | Roller |
| 12 | 722605-0006 | Bearing |
| 13 | 145153-0001 | Shim |
| 14 | 108643-0003 | Shaft |



800-284-7737

Quality Replacement Press Parts



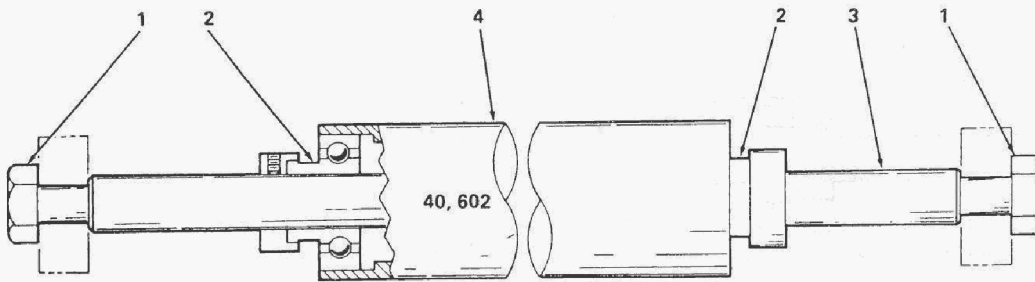
GOVERNOR AND LEAD-IN ROLLER ASSEMBLY

| No. | Part No. | Description |
|-----|-------------|--------------------------------|
| 1 | 108643-0001 | Governor Roller Shaft |
| 2 | 722605-0008 | Bearing |
| 3 | 108425-0001 | Governor Roller |
| 4 | 89812-0001 | Spring Roller Lever - Op. Side |
| 5 | 108467-0001 | Bumper |
| 6 | 729400-0036 | Bushing |
| 8 | 863308-6216 | Clevis Pin |
| 9 | 722605-0010 | Bearing |
| 10 | 140771-0001 | Lead-In Roller Shaft |
| 11 | 53429-0003 | Lead-In Roller |
| 12 | 090065-0001 | Spring Roller Lever - Dr. Side |



800-284-7737

Quality Replacement Press Parts



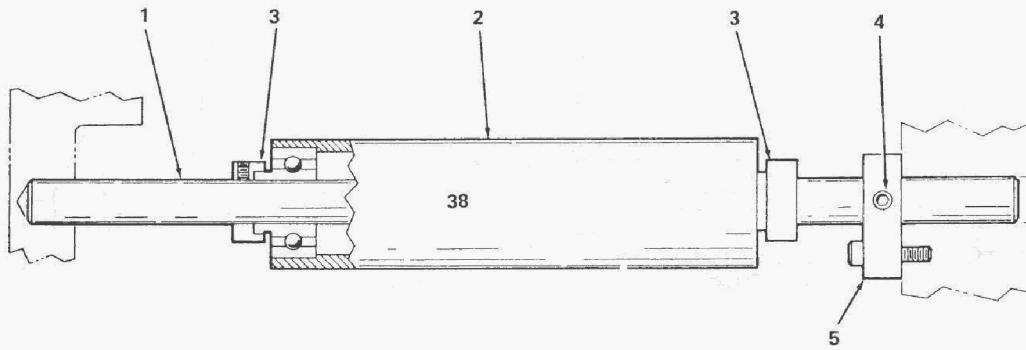
LEAD-IN AND IDLER ROLLER ASSEMBLY

| No. | Part No. | Description |
|-----|-------------|------------------------|
| 1 | 8906-0012 | Body Fit Cap Screw |
| 2 | 722605-0006 | Bearing |
| 3 | 108642-0001 | Shaft (Specify Length) |
| 4 | 108353-0001 | Roller |



800-284-7737

Quality Replacement Press Parts



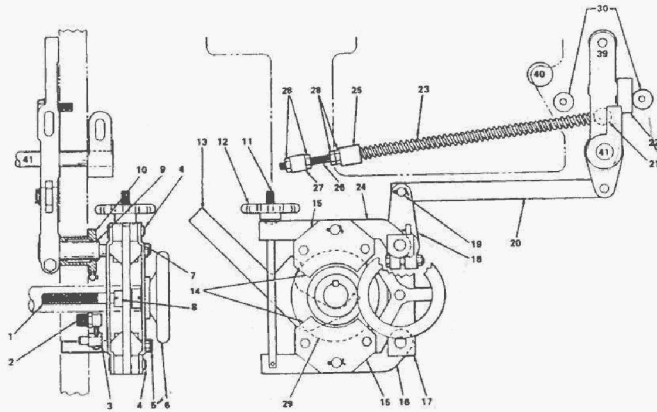
LEAD-IN ROLLER ASSEMBLY

| No. | Part No. | Description |
|-----|-------------|------------------|
| 1 | 108643-0001 | Shaft |
| 2 | 108353-0001 | Lead-In Roller |
| 3 | 722605-0006 | Bearing |
| 4 | 40142-3103 | Socket Set Screw |
| 5 | 141745-0001 | Collar |



800-284-7737

Quality Replacement Press Parts



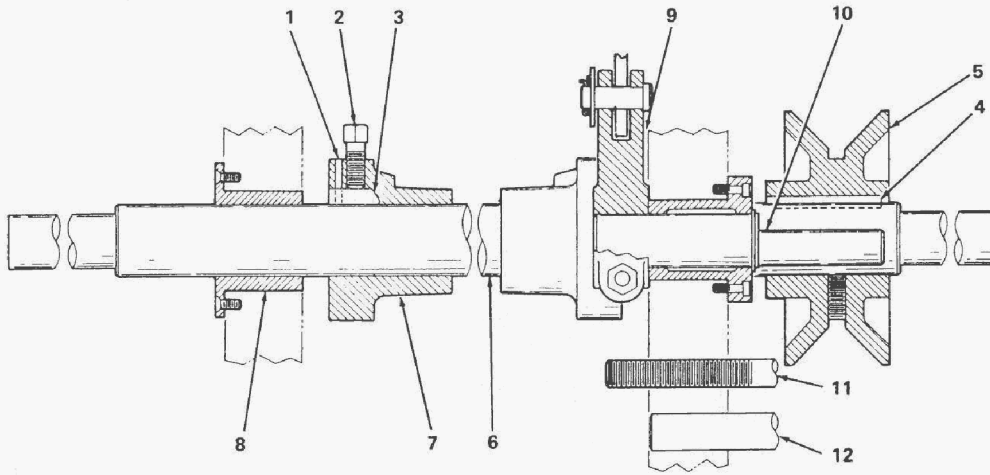
PAPER ROLL SIDELAY - TENSION CONTROL AND BRAKE

| No. | Part No. | Description |
|-----|-------------|---|
| 1 | 108466-0001 | Sidelay Screw |
| 2 | 140764-0001 | Roll Loading Pin |
| 3 | 108418-0001 | Lever Stop Poppet |
| 4 | 863300-0022 | Clevis Pin |
| 5 | 897322-0003 | Sidelay Bar Stud |
| 6 | 94736-0002 | Sidelay Handwheel |
| 7 | 144365-0001 | Eccentric Shaft |
| 8 | 99738-0001 | Collar |
| 9 | 40164-0150 | Retaining Ring |
| 10 | 55021-0001 | Eccentric Shaft Bushing |
| 11 | 119892-0002 | Brake Tension Screw |
| 12 | 106700-0001 | Brake Shoe Handwheel |
| 13 | 90149-0001 | Roll Loading Lever |
| 14 | 131708-0001 | Green Gripper Brake Block - 7" (Flat Back) |
| | 131709-0001 | Green Gripper Brake Block - 9" (Round Back) |
| | 144363-0001 | Maple Brake Block - 7" (Flat Back) |
| | 119890-0001 | Maple Brake Block - 9" (Round Back) |
| 15 | 95185-0001 | Brake Shoe |
| 16 | 94283-0001 | Brake Shoe Lever |
| 17 | 144371-0001 | Sidelay Bar |
| 18 | 94291-0001 | Eccentric Brake Lever |
| 19 | 863308-6216 | Clevis Pin |
| 20 | 108469-0002 | Brake Link |
| 21 | 97542-0001 | Steel Ball |
| 23 | 140856-0001 | Compression Spring |
| 24 | 94282-0001 | Brake Shoe Lever |
| 25 | 109657-0001 | Knurled Nut |
| 26 | 108892-0001 | Tension Control Rod |
| 27 | 97543-0003 | Swivel Stud |
| 28 | 40149-6211 | Jam Nut |
| 29 | 54484-0001 | Tension Pulley - 7" O.D. |
| | 70282-0002 | Tension Pulley - 9" O.D. |
| 30 | 108467-0001 | Bumper |



800-284-7737

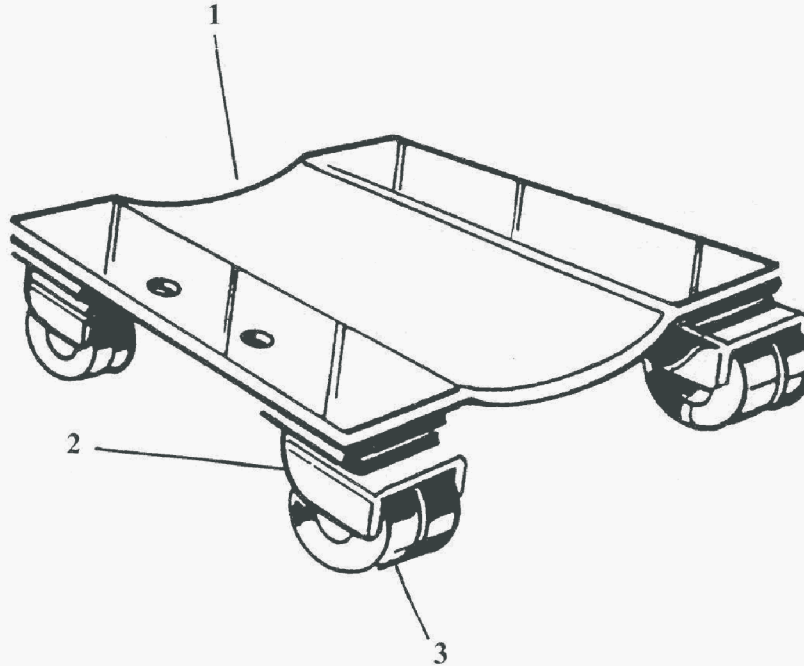
Quality Replacement Press Parts



PAPER ROLL SHAFT ASSEMBLY

| No. | Part No. | Description |
|-----|-------------|---------------------------------------|
| 1 | 40001-0124 | Dowel Pin |
| 2 | 40145-5012 | Set Screw - Square Head |
| 3 | 108562-0001 | Chuck Key |
| 4 | 40003-0247 | Square Key |
| 5 | 54484-0001 | Tension Pulley - 7" O.D. |
| | 70282-0002 | Tension Pulley - 9" O.D. |
| 5A | 40143-5010 | Tension Pulley Set Screw |
| 6 | 108482-0001 | Shaft |
| | 450-0001 | *Tidland Air Shaft - Button Hd. Style |
| | 500-0001 | *Tidland Air Shaft - Lug Style |
| 7 | 62061-0001 | Chuck - Metal Core |
| | 62062-0001 | Chuck - Pound-In |
| | 733549-0003 | Mohawk Chuck Set |
| 8 | 144533-0001 | Paper Roll Bushing |
| 9 | 108468-0001 | Eccentric Brake Lever |
| 10 | 108465-0001 | Eccentric Shaft |
| | 144365-0001 | Eccentric Shaft |
| 11 | 108466-0001 | Sidelay Screw |
| 12 | 97322-0003 | Sidelay Bar Stud |

* Central Graphics is an authorized dealer of the Tidland Corporation.



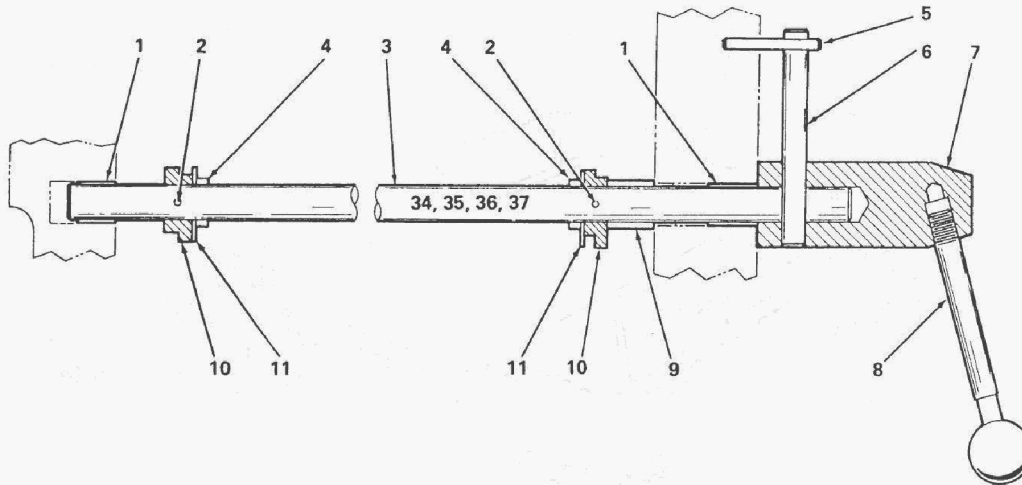
PAPER ROLL CART

| No. | Part No. | Description |
|-----|-------------|---|
| 1 | 932300-0003 | Paper Roll Cart - Plate Only |
| | 932300-0004 | Paper Roll Cart Complete With Casters |
| 2 | 932300-0002 | Double Wheel Caster Assembly - Hard Rubber Wheels |
| | 932300-0007 | Single Wheel Caster Assembly - Polyethylene Wheel |
| | 932300-0006 | Single Wheel Caster Assembly - Steel Wheel |
| 3 | 932300-0001 | 2" Replacement Wheel - Hard Rubber |
| | 932300-0008 | 2-1/2" Replacement Wheel - Polyethylene |
| | 932300-0005 | 2-1/2" Replacement Wheel - Steel |



800-284-7737

Quality Replacement Press Parts



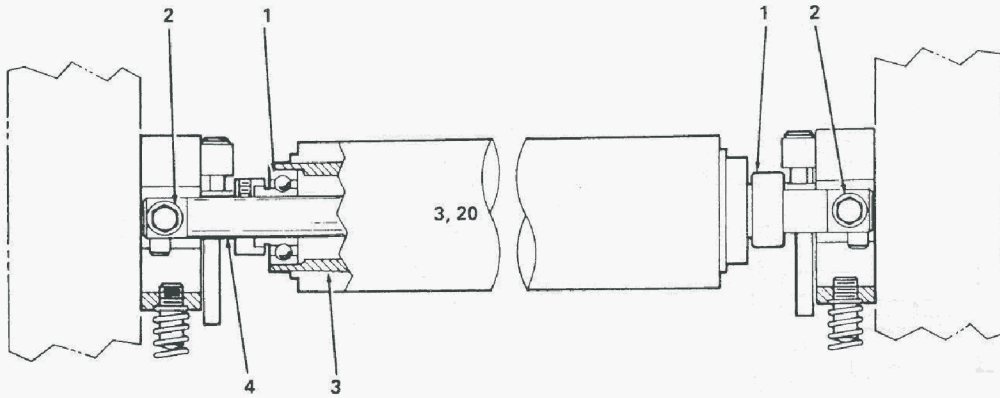
INK AND DAMPENR FORM ROLLER THROWOFF ASSEMBLY

| No. | Part No. | Description |
|-----|-------------|-----------------|
| 1 | 729400-0029 | Bushing |
| 2 | 40082-1820 | Roll Pin |
| 3 | 119953-0001 | Roller Shaft |
| 4 | 40081-0750 | Collar |
| 5 | 40001-0215 | Dowel Pin |
| 6 | 145026-0001 | Pin |
| 7 | 94996-0001 | Throwoff Lever |
| 8 | 144608-0001 | Throwoff Handle |
| 9 | 40064-1610 | Spacer - 1" |
| | 40064-1606 | Spacer - 3/4" |
| 10 | 119951-0001 | Eccentric |
| 11 | 40072-2072 | Washer |



800-284-7737

Quality Replacement Press Parts



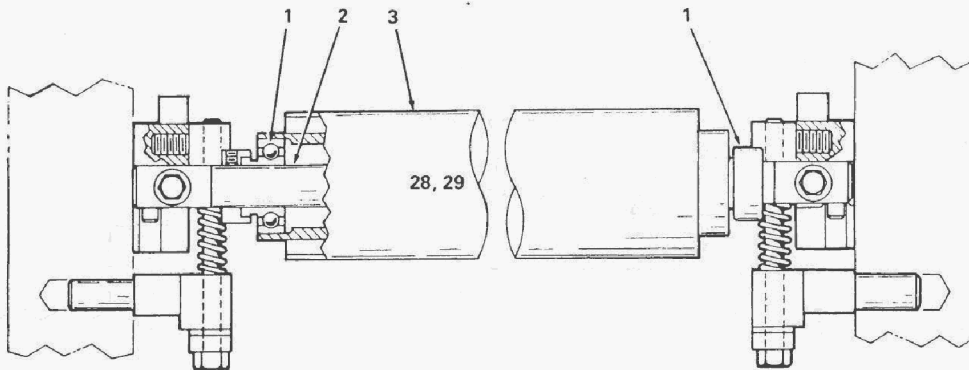
DAMPENER FORM ROLLER ASSEMBLY

| No. | Part No. | Description |
|-----|-------------|--------------|
| 1 | 722605-0006 | Bearing |
| 2 | 112891-0001 | Washer |
| 3 | 108353-0001 | Roller Core |
| 4 | 108522-0001 | Roller Shaft |



800-284-7737

Quality Replacement Press Parts



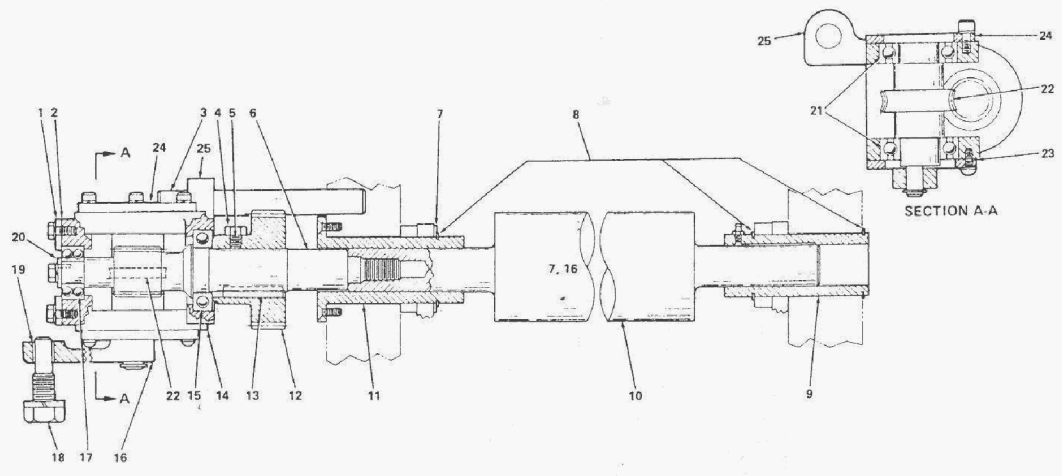
DAMPENER FEED ROLLER ASSEMBLY

| No. | Part No. | Description |
|-----|-------------|--------------------------|
| 1 | 722605-0006 | Bearing |
| 2 | 108522-0001 | Roller Shaft |
| 3 | 908400-0012 | Dampener Feed Sock |
| 4 | 108353-0001 | Roller Core |
| 4A | 908100-0020 | Slip-On Tube 3-1/2" O.D. |
| | 908100-0021 | Slip-On Tube 3" O.D. |



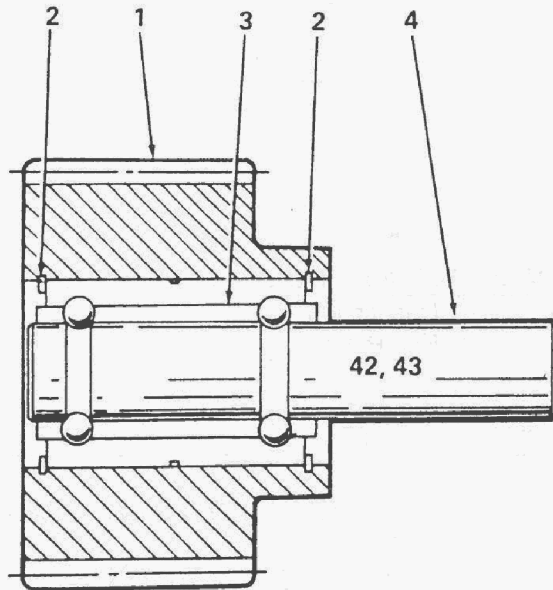
800-284-7737

Quality Replacement Press Parts



DAMPENER DRUM VIBRATOR ASSEMBLY

| No. | Part No. | Description |
|-----|--------------------------|--|
| 1 | 110697-0001 | End Plate |
| 2 | 110693-0004 | Shim Set |
| 3 | 119887-0001 | Support Rod |
| 4 | 40149-3716 | Jam Nut |
| 5 | 105603-0003 | Spotting Set Screw |
| 6 | 77112-0001 77112-0002 | Vibrator Worm- #13 Side Vibrator Worm- #10 Side |
| 7 | 95717-0001 | Washer |
| 8 | 885470-1187 | Retaining Ring |
| 9 | 144471-1 | Bushing |
| 10 | 70310-0001 70310-0002 | Dampener Vibrator Drum 13 Side Dampener Vibrator Drum 10 Side |
| 11 | 95421-0001 95422-0001 | Bushing - Drive Side - #10 Bushing - Drive Side - #13 |
| 12 | 70188-0001 | Gear |
| 13 | 40003-0148 | Key |
| 14 | 22141-0001 | Housing |
| 15 | 722605-0098 | Bearing |
| 16 | 119886-0001 | Link |
| 17 | 40106-5203 | Bearing |
| 18 | 119883-0001 | Link Stud |
| 19 | 40075-1100 | Bronze Bearing |
| 20 | 40070-0207 | Washer W/Pin |
| 21 | 40100-6206 | Bearing |
| 22 | 127371-0001 | Worm Gear |
| 23 | 119882-0001 | Shim Set |
| 24 | 119885-0001 | End Plate |
| 25 | 22141-0001 | Housing |



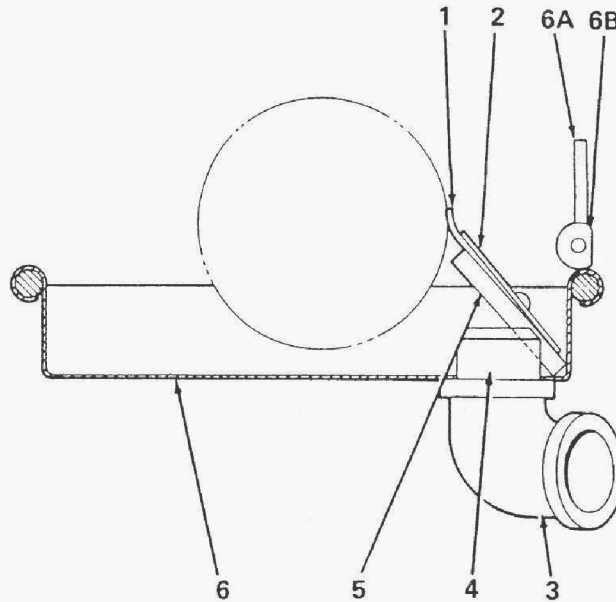
DAMPENER DRUM INTERMEDIATE GEAR

| No. | Part No. | Description |
|-------|-------------|----------------------------|
| 1 | 70170-001 | Gear |
| 2 | 885470-0969 | Retaining Ring |
| 3 & 4 | 722605-0299 | Bearing and Shaft Assembly |



800-284-7737

Quality Replacement Press Parts



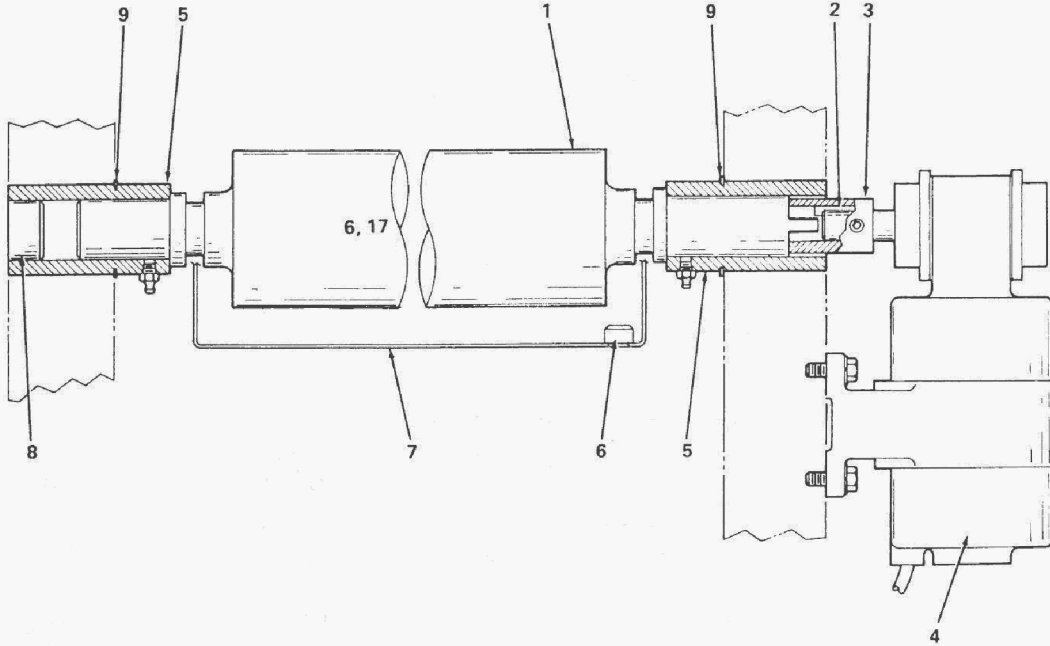
DAMPENER FOUNTAIN PAN AND WATER STOP ASSEMBLY

| No. | Part No. | Description |
|-----|-------------|-----------------------|
| 1 | 1306-0004 | Water Stop - 4" |
| | 1306-0018 | Water Stop - 18" |
| 2 | 1306-PL04 | Plastic Support - 4" |
| | 1306-PL18 | Plastic Support - 18" |
| 3 | 40057-2242 | Elbow |
| 4 | 149470-0001 | Standpipe |
| 5 | 1306-BR04 | Brass Support - 4" |
| | 1306-BR18 | Brass Support - 18" |
| 6 | 91178-0001 | Dampener Pan 10 Side |
| | 91178-0002 | Dampener Pan 13 Side |
| 6A | 40082-1824 | Roll Pin |
| 6B | 113240-0001 | Locking Pawl |



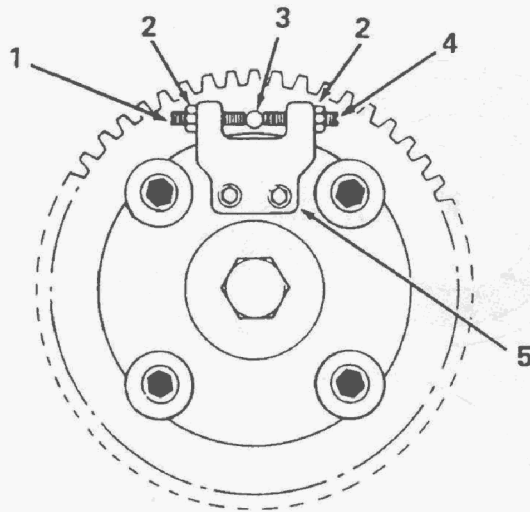
800-284-7737

Quality Replacement Press Parts



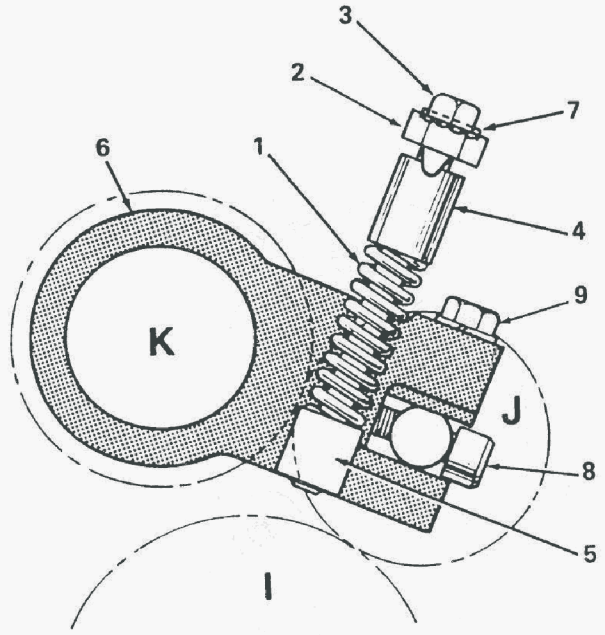
DAMPENER FOUNTAIN ROLLER ASSEMBLY

| No. | Part No. | Description |
|-----|-------------|--------------------------|
| 1 | 93547-0001 | Roller |
| 2 | 40003-0122 | Square Key |
| 3 | 108487-0001 | Dampener Motor Connector |
| 4 | 61913-0001 | Water Motor 13 Side |
| | 61913-0002 | Water Motor 10 Side |
| 4A | 577B-0001 | Brass Water Motor Gear |
| | 577F-0001 | Fibre Water Motor Gear |
| 4B | 62050-0002 | Variable Rheostat |
| 5 | 143805-0001 | Bushing |
| 6 | 149470-0001 | Standpipe |
| 7 | 91178-0001 | Dampener Pan 10 Side |
| | 91178-0002 | Dampener Pan 13 Side |
| 8 | 104513-0001 | Plug 1-1/4" |
| | 104513-0002 | Plug - 1" |
| 9 | 95717-0001 | Washer |



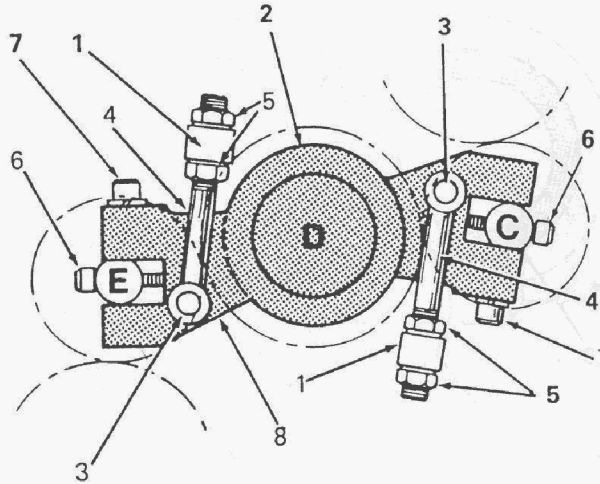
BACK TO BACK REGISTER GEAR RIM W/O CIRCUMFERENTIAL

| No. | Part No. | Description |
|-----|-------------|----------------------------|
| 1 | 40144-0001 | Left Hand Adjusting Screw |
| 2 | 40149-2520 | Jam Nut |
| 3 | 40001-0136 | Stop Pin |
| 4 | 40144-0001 | Right Hand Adjusting Screw |
| 5 | 120953-0001 | Adjusting Block |



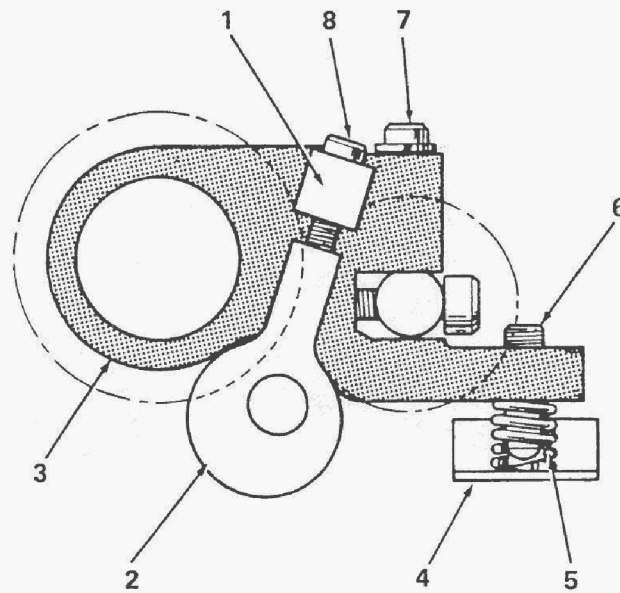
DAMPENER FEED ROLLER SOCKET

| No. | Part No. | Description |
|-----|-------------|--------------------------|
| 1 | 103453-0001 | Anti-Bounce Spring |
| 2 | 121823-0001 | Cam Nut |
| 3 | 121825-0001 | Adjusting Bolt |
| 4 | 123285-0001 | Spring Support Poppet |
| 5 | 123284-0001 | Roller Adjustment Poppet |
| 6 | 73460-0001 | Socket Body |
| 7 | 40082-0912 | Roll Pin |
| 8 | 891201-0410 | Adjusting Screw |
| 9 | 891201-0410 | Lock Screw |
| 10 | 112891-0001 | Washer |



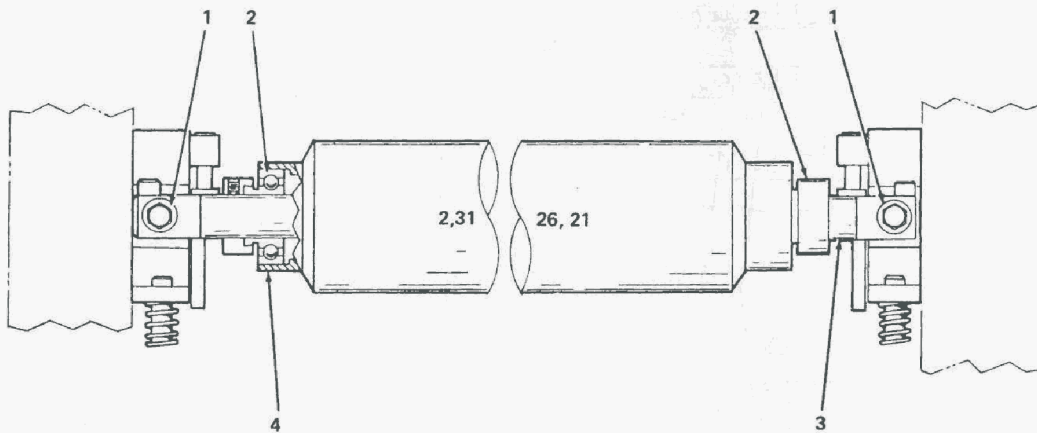
INK TRANSFER ROLLER SOCKETS

| No. | Part No. | Description |
|-----|-------------|---------------------|
| 1 | 108532-0001 | Adjustment Poppet |
| 2 | 65996-0001 | Socket Body |
| 3 | 109087-0001 | Socket Throwoff Pin |
| 4 | 759000-0006 | Eyebolt |
| 5 | 40149-3716 | Jam Nut |
| 6 | 891201-0410 | Adjusting Screw |
| 7 | 40132-2514 | Lock Screw |
| 8 | 65996-0002 | Socket Body |



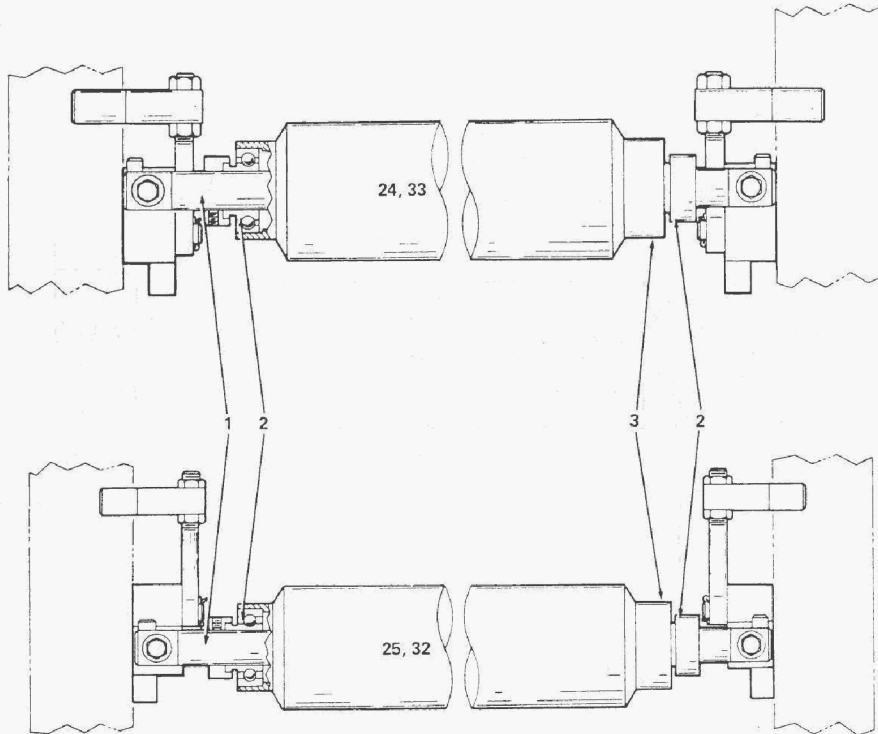
INK AND DAMPENR FORM ROLLER SOCKETS

| No. | Part No. | Description |
|-----|-------------|-------------------------------|
| 1 | 119954-0001 | Adjustment Poppet |
| 2 | 119950-0001 | Throwoff Link |
| 3 | 70369-0001 | Socket Body |
| 4 | 119975-0001 | Stop Plate |
| 5 | 122810-0001 | Throwoff Spring (Anti-Bounce) |
| 6 | 120115-0001 | Anti Bounce Screw |
| 7 | 891201-0410 | Lock Screw |
| 8 | 891201-5136 | Adjusting Screw |



INK FORM ROLLERS

| No. | Part No. | Description |
|-----|-------------|------------------|
| 1 | 112891-0001 | Washer |
| 2 | 722605-0006 | Bearing W/Collar |
| 3 | 108522-0001 | Shaft |
| 4 | 108353-0001 | Roller Core |



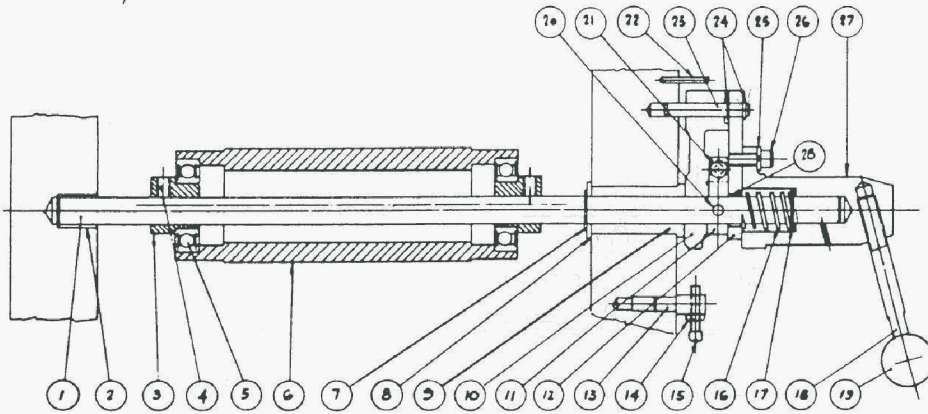
INK TRANSFER ROLLER

| No. | Part No. | Description |
|-----|-------------|------------------|
| 1 | 108522-0001 | Shaft |
| 2 | 722605-0006 | Bearing W/Collar |
| 3 | 108353-0001 | Roller Core |



800-284-7737

Quality Replacement Press Parts

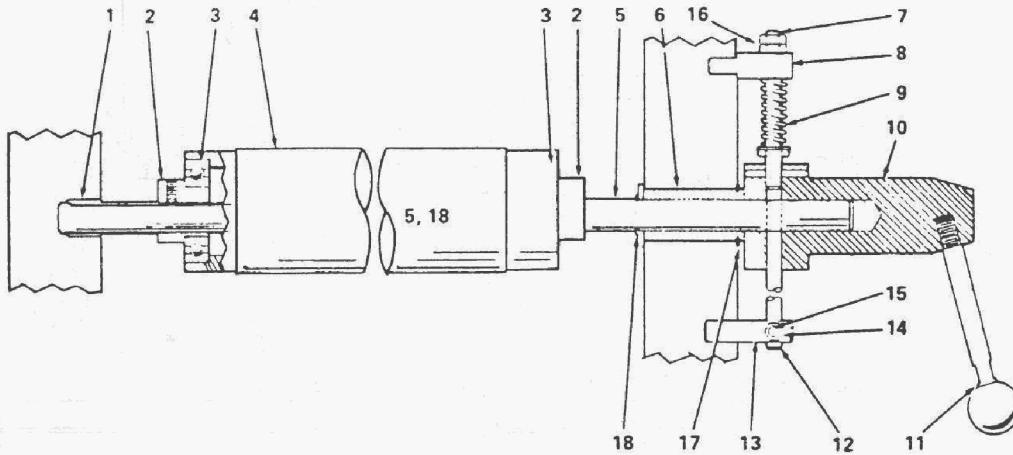


INK FEED ROLLER AND THROWOFF ASSEMBLY (OLD STYLE)

| No. | Part No. | Description |
|-----|--|---|
| 1 | 140767-0001 | Shaft |
| 2 | 729400-0028 | Bushing |
| 3 | 108444-0001 148137-0001 | Eccentric - Solid Eccentric - Split |
| 4 | 891214-1524 | Socket Set Screw |
| 5 | 722605-0535 | Bearing |
| 6 | 95891-0001 95891-0002 95891-0003 95891-0004 | Micrometric Roller - Steel Micrometric Roller - Plastic Micrometric Roller - Chromed Steel Micrometric Roller - Rilsan Nylon |
| 7 | 885470-1947 | Retaining Ring |
| 8 | 40072-2075 | Washer |
| 9 | 108519-0001 | Bushing |
| 10 | 140770-0001 | Lever |
| 11 | 108556-0001 | Collar |
| 12 | 140768-0001 | Lever |
| 13 | 116800-0001 | Poppet |
| 14 | 40149-2520 | Jam Nut |
| 15 | 40145-2512 | Square Hd. Screw |
| 16 | 140867-0001 | Spring |
| 17 | 885470-1947 | Retaining Ring |
| 18 | 140766-0003 | Rod Handle |
| 19 | 815007-0020 | Handle Ball |
| 20 | 40082-2522 | Roll Pin |
| 21 | 40142-2512 | Set Screw |
| 22 | 40001-0147 | Dowel Pin |
| 23 | 140769-0001 | Lock Pin |
| 24 | 40164-0037 | Retaining Ring |
| 25 | 40073-2031 | Lockwasher |
| 26 | 40132-3106 | Cap Screw |
| 27 | 89808-0001 | Hub |
| 28 | 729400-0030 | Bushing |



800-284-7737
 Quality Replacement Press Parts

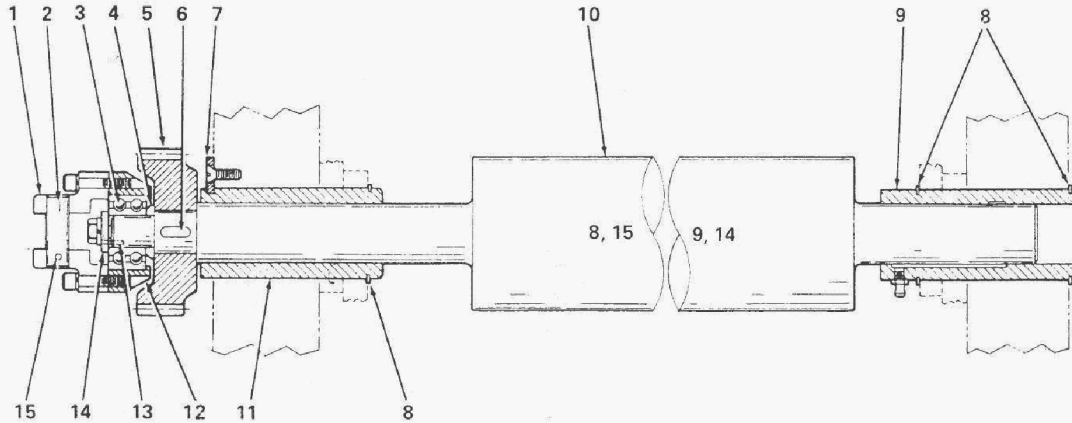


INK FEED ROLLER AND THROWOFF ASSEMBLY (NEW STYLE)

| No. | Part No. | Description |
|-----|-------------|------------------------------------|
| 1 | 729400-0028 | Bushing |
| 2 | 108444-0001 | Micrometric Eccentric - Solid |
| | 148137-0001 | Micrometric Eccentric - Split |
| 3 | 722605-0547 | Bearing |
| 4 | 95891-0001 | Micrometric Roller - Steel |
| | 95891-0002 | Micrometric Roller - Plastic |
| | 95891-0003 | Micrometric Roller - Chromed Steel |
| | 95891-0004 | Micrometric Roller - Rilsan Nylon |
| 5 | 144599-0001 | Shaft |
| 6 | 108519-0001 | Bushing (Straight) |
| | 144600-0001 | Bushing (Flanged) |
| 7 | 145028-0001 | Spring Shaft |
| 8 | 145029-0001 | Poppet |
| 9 | 145173-0001 | Spring |
| 10 | 95444-0001 | Throwoff Hub |
| 11 | 144608-0001 | Throwoff Handle |
| 12 | 40082-2528 | Stop Pin |
| 13 | 116800-0001 | Poppet |
| | 148127-0001 | Poppet |
| 14 | 40149-2520 | Jam Nut |
| 15 | 40145-2512 | Set Screw |
| 16 | 40149-3716 | Jam Nut |
| 17 | 40164-0125 | Retaining Ring |
| 18 | 40164-0075 | Retaining Ring |



800-284-7737
 Quality Replacement Press Parts



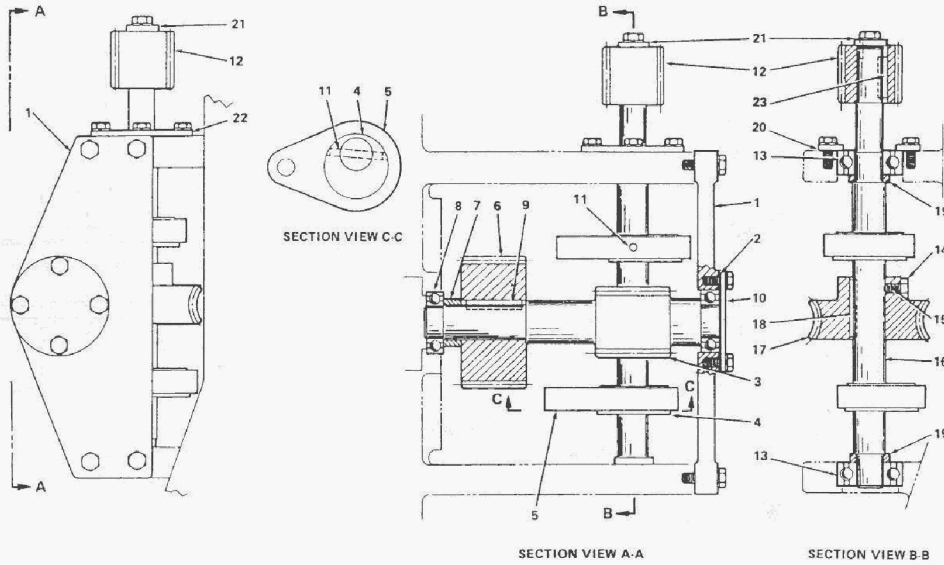
MAIN AND AUXILIARY INK DRUMS

| No. | Part No. | Description |
|-----|-------------|--|
| 1 | 113907-0001 | Connector |
| 2 | 108387-0002 | Stud |
| 3 | 40106-5203 | Bearing |
| 4 | 113908-0002 | Spacer |
| 5 | 70168-0001 | Gear |
| 6 | 40003-0039 | Key |
| 7 | 145082-0001 | Stop Plate |
| 8 | 885470-1187 | Retaining Ring |
| 9 | 144471-0001 | Bushing - Operator Side - #10 & #13 |
| 10 | 94492-0001 | Ink Drum - Copper *Reworking Available |
| | 94492-0002 | Ink Drum - Rilsan Nylon *Reworking Available |
| 11 | 95421-0001 | Bushing - Drive Side - #10 |
| | 95422-0001 | Bushing - Drive Side - #13 |
| 12 | 113906-0001 | Connecting Cap |
| 13 | 40001-0034 | Dowel Pin |
| 14 | 113833-0001 | Washer |
| 15 | 40082-0920 | Roll Pin |



800-284-7737

Quality Replacement Press Parts



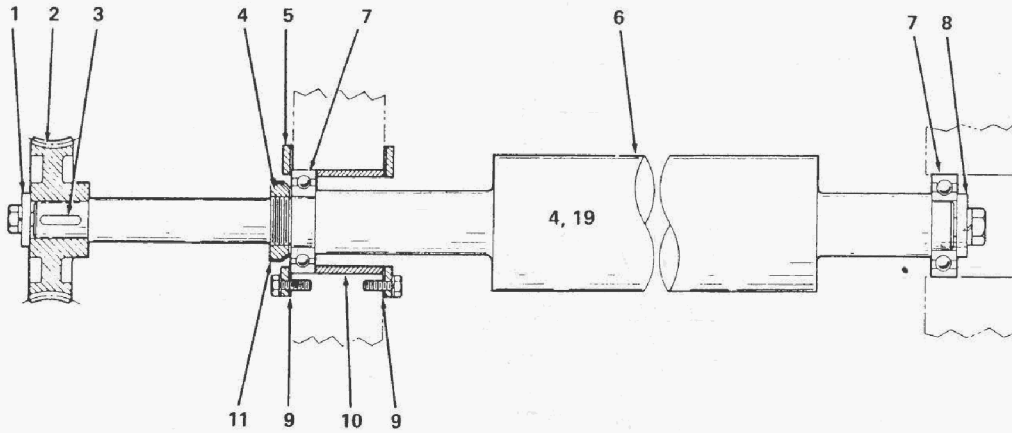
INK VIBRATOR / INK FOUNTAIN DRIVE ASSEMBLY

| No. | Part No. | Description |
|-----|-------------|-------------------------------------|
| 1 | 119988-0001 | Inker Drive Support Plate |
| 2 | 3001-0008 | Shim |
| 3 | 70378-0001 | Drive Gear Set |
| 4 | 108429-0001 | Eccentric Bushing |
| 5 | 108427-0001 | Link |
| 6 | 70177-0001 | Drive Gear |
| | 103272-0001 | Drive Gear #10 Side - Running Circ. |
| 7 | 40064-2505 | Spacer |
| 8 | 722673-1493 | Bearing |
| 9 | 40003-0148 | Key |
| 10 | 95332-0001 | Mounting Plate |
| 11 | 40082-2528 | Roll Pin |
| 12 | 70377-0001 | Drive Worm |
| 13 | 722673-1214 | Bearing |
| 14 | 40149-5118 | Jam Nut |
| 15 | 819201-0416 | Set Screw |
| 16 | 70358-0001 | Drive Shaft |
| 17 | 70378-0001 | Drive Gear Set |
| 18 | 40003-0147 | Square Key |
| 19 | 40064-2102 | Spacer |
| 20 | 3001-0008 | Shim |
| 21 | 40070-0310 | Washer W/Pin |
| 22 | 95332-0001 | Mounting Plate |
| 23 | 40003-0123 | Square Key |



800-284-7737

Quality Replacement Press Parts



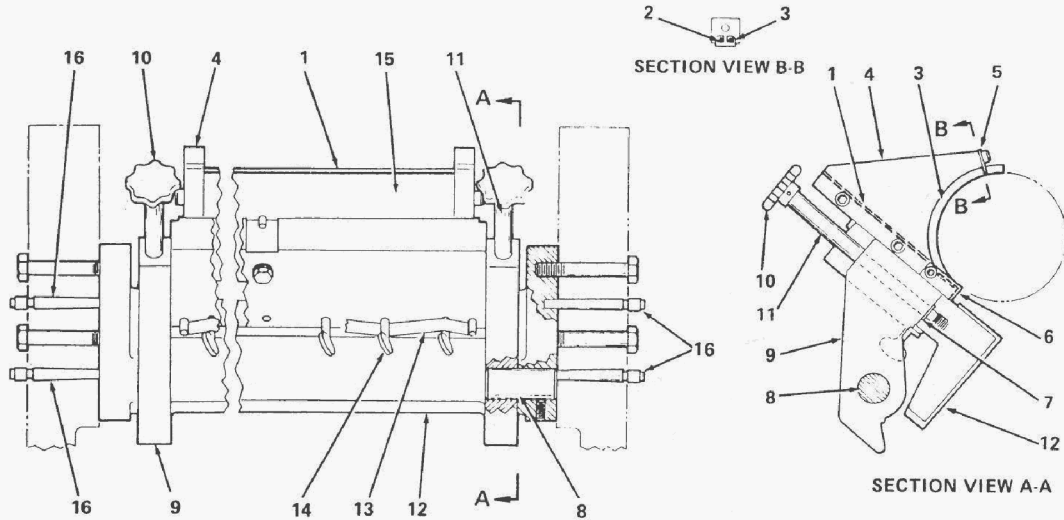
INK FOUNTAIN ROLLER ASSEMBLY

| No. | Part No. | Description |
|-----|-------------|--|
| 1 | 40070-0312 | Washer |
| 2 | 70377-0001 | Worm Gear (Oil Unit) |
| | 113307-0001 | Worm Gear (Grease Unit) |
| 3 | 40003-0087 | Square Key |
| 4 | 40123-0106 | Bearing Locknut |
| 5 | 108290-0001 | End Plate |
| 6 | 94493-0001 | Ink Fountain Roller - Standard |
| | 99703-0001 | Ink Fountain Roller - Ratchet Style |
| | 119418-0001 | Ink Fountain Roller - C-150 - Ratchet - Long |
| 7 | 722605-0547 | Bearing |
| 8 | 40070-0414 | Washer W/Pin |
| 9 | 108701-0004 | Shim Set |
| 10 | 40066-2127 | Bearing Spacer |
| 11 | 40124-0106 | Bearing Lockwasher |



800-284-7737

Quality Replacement Press Parts



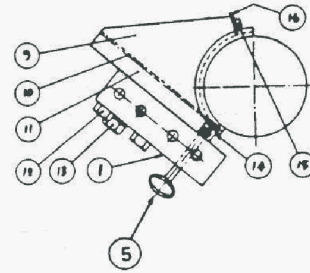
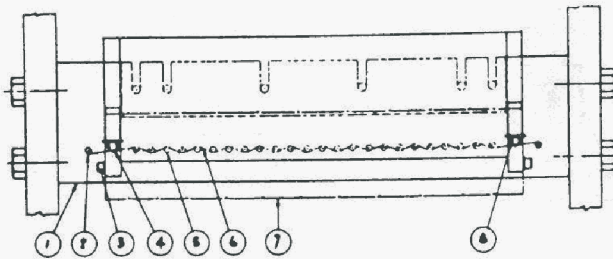
INK FOUNTAIN ASSEMBLY - SWING DOWN

| No. | Part No. | Description |
|-----|-------------|-------------------------------------|
| 1 | 119765-0001 | Ink Fountain Blade - Only |
| 2 | 40162-0243 | O-Ring |
| 3 | 70172-0001 | Ink Fountain Seal |
| 4 | 99499-0001 | Fountain End |
| 5 | 114138-0001 | Upper Seal Retainer |
| 6 | 147734-0001 | Lower Seal Retainer |
| | 148163-0001 | Lower Seal Retainer |
| 7 | 885470-1935 | Retaining Ring |
| 8 | 147619-0001 | Pivot Ring |
| 9 | 5973-0001 | Ink Fountain Bracket Assembly |
| 10 | 83974-0001 | Hand Knob |
| 11 | 147620-0001 | Fountain Lockup Bolt |
| 12 | 5974-0001 | Ink Fountain Bracket Assembly |
| 13 | 115750-0001 | Key Band |
| 14 | 891211-6635 | Ink Key |
| 15 | 100035-0001 | Ink Fountain Blade - Support Bar |
| | 99275-0001 | Ink Fountain Bar and Blade Assembly |
| 16 | 40014-0332 | Taper Pin |



800-284-7737

Quality Replacement Press Parts



INK FOUNTAIN ASSEMBLY - FIXED TYPE

| No. | Part No. | Description |
|-----|-------------|--|
| 1 | 70169-0001 | Ink Fountain Brace |
| 2 | 40082-2522 | Roll Pin |
| 3 | 40132-1003 | Soc. Hd. Cap Screw |
| 4 | 70172-0001 | Ink Fountain Seal |
| 5 | 891211-6635 | Ink Key |
| 6 | 115750-0001 | Fountain Key Band |
| 7 | 94493-0001 | Ink Fountain Roller - Standard |
| | 99703-0001 | Ink Fountain Roller - Ratchet Style |
| | 119418-0001 | Ink Fountain Roller - C-150 - Ratchet - Long |
| 8 | 40162-0243 | O-Ring |
| 9 | 119766-0001 | End Plate |
| 10 | 119765-0001 | Ink Fountain Blade - Only |
| 11 | 70171-0002 | Ink Fountain Blade - Support Bar |
| | 70171-0001 | Ink Fountain Bar and Blade Assembly |
| 12 | 40133-3720 | Hex Hd. Cap Screw |
| 13 | 40133-3716 | Hex Hd. Cap Screw |
| 14 | 148163-0001 | Seal Retainer |
| | 147734-0001 | Seal Retainer |
| 15 | 40132-1003 | Soc. Hd. Cap Screw |
| 16 | 114138-0001 | Seal Retainer |



800-284-7737

Quality Replacement Press Parts

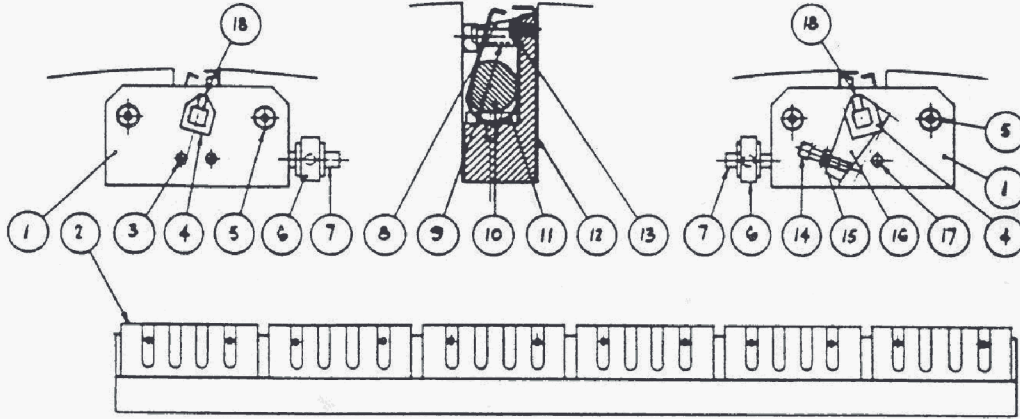


PLATE LOCKUP ASSEMBLY - STANDARD

| No. | Part No. | Description |
|-----|-------------|----------------------------------|
| 1 | 104917-0001 | Side Register Block |
| 2 | 25709-0002 | Plate Lockup Spring |
| 3 | 40001-0146 | Dowel Pin |
| 4 | 99441-0001 | Sleeve |
| 5 | 40131-3104 | Stripper Bolt |
| 6 | 119471-0001 | Register U-Bolt |
| 7 | 94778-0001 | Register Screw |
| 8 | 109612-0001 | Sidelay Pin |
| 9 | 118873-0002 | Jack Screw |
| 10 | 91836-0001 | Plate Lockup Shaft |
| 11 | 108364-0001 | Shaft Support Plate |
| 12 | 91835-0001 | Plate Lockup Yoke |
| 13 | 891220-3618 | Spring Screw and Washer |
| 14 | 40132-2510 | Spring Trip Screw |
| 15 | 40149-2520 | Jam Nut |
| 16 | 94775-0001 | Swivel Block |
| 17 | 40001-0168 | Dowel Pin |
| 18 | 40142-2502 | Set Screw |
| | 91835A-0001 | Plate Lockup Assembly - Complete |



800-284-7737
 Quality Replacement Press Parts

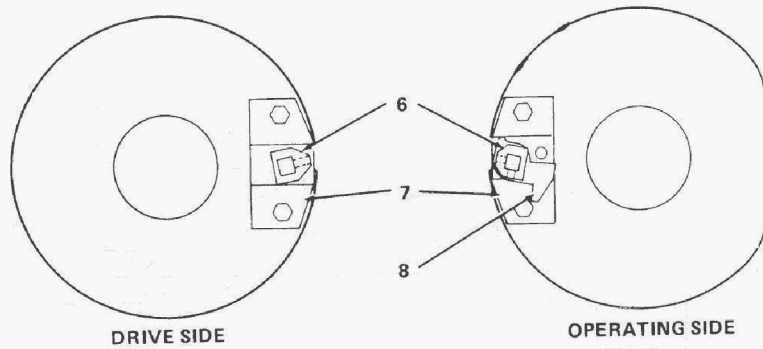
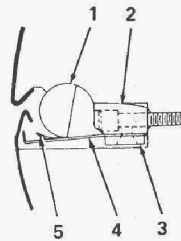
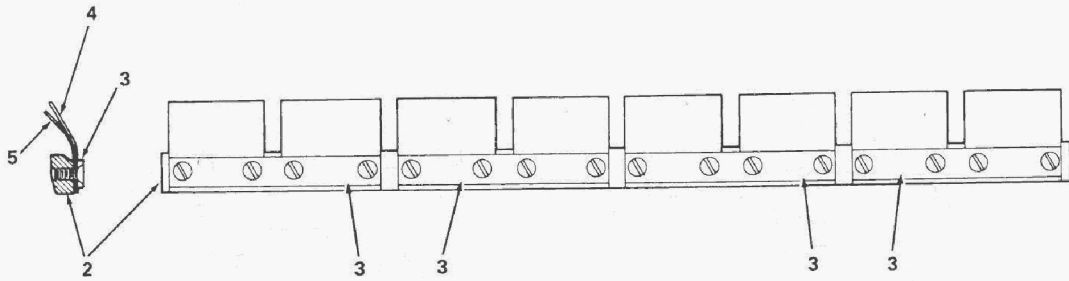


PLATE LOCKUP ASSEMBLY - O.T.N.

| No. | Part No. | Description |
|-----|--------------|----------------------------------|
| 1 | 99787-0001 | Plate Lockup Shaft |
| 2 | 100029-0001 | Spring Retaining Bar |
| 3 | 148072-0001 | Clamp Bar |
| 4 | 35044-0001 | Plate Lockup Spring |
| 5 | 150241-0001 | Anti-Rattle Spring |
| 6 | 99441-0001 | Lockup Shaft Sleeve |
| 7 | 148071-0001 | Plate Lockup Keeper |
| 8 | 148070-0001 | Automatic Plate Lockup Lever |
| | 149800-0001 | Automatic Plate Lockup Lever |
| 9 | 40132-0806 | Socket Hd. Cap Screw |
| 10 | 40133-2506 | Hex Hd. Cap Screw |
| | 149209-0001 | Trip Plate |
| | 101393A-0001 | Plate Lockup Assembly - Complete |



800-284-7737

Quality Replacement Press Parts

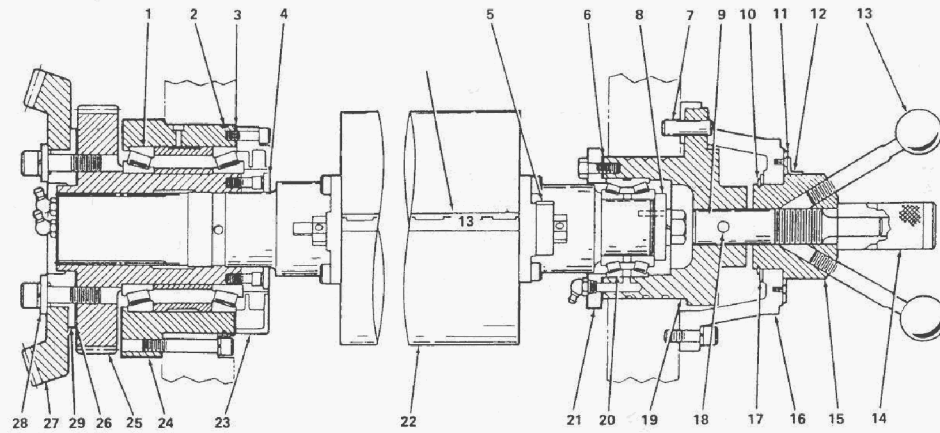


PLATE CYLINDER ASSEMBLY - 13 SIDE

| No. | Part No. | Description |
|-----|-----------------|---|
| 1 | 722673-0824 | Bearing (Small Or Large Journal) |
| 2 | 885454-1458 | Oil Seal |
| 3 | 144557-0001 | Gasket |
| 4 | 119956-0001 | End Plate |
| 5 | See Lockup Assy | Plate Lockup Assembly |
| 6 | 144558-0001 | Gasket |
| 7 | 863313-0059 | Dowel Pin |
| 8 | 108639-0001 | Washer |
| 9 | 144613-0001 | Adjusting Screw (New Style) |
| | 116801-0001 | Adjusting Screw (Old Style) |
| 10 | 885470-1927 | Retaining Ring |
| 11 | 141094-0001 | Register Indicator |
| 12 | 106851-0001 | Pointer |
| 13 | 144608-0001 | Handle |
| 14 | 108440-0003 | Locknut |
| 15 | 94683-0001 | Handwheel Hub |
| 16 | 68078-0001 | Bracket |
| 17 | 144553-0001 | Washer |
| 18 | 40001-0237 | Dowel Pin |
| 19 | 68077-0001 | Eccentric Sleeve (Small Journal) |
| | 6676-0001 | Eccentric Sleeve (Large Journal) |
| 20 | 722673-1328 | Bearing (Small Journal) |
| | 722673-1023 | Bearing (Large Journal) |
| 21 | 116802-0001 | End Plate |
| 22 | 4660-0001 | Cylinder - Standard (Small Journal) |
| | 7499-0001 | Cylinder - O.T.N. (Large Journal) |
| 23 | 94684-0001 | End Plate |
| 24 | 94685-0001 | Eccentric Sleeve (Small Or Large Journal) |
| 25 | 70179-0001 | Gear |
| 26 | 99304-0004 | Shim Set |
| 27 | 70178-0001 | Gear Set (Oil Unit) |
| | 62029-0001 | Gear Set (Grease Unit) |
| 28 | 3424-0001 | Slip Washer |
| 29 | 108384-0001 | Mounting Plate |



800-284-7737

Quality Replacement Press Parts

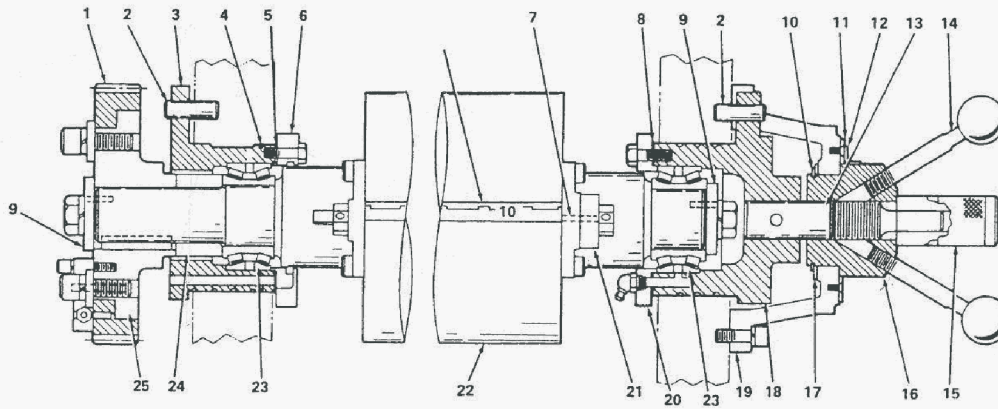


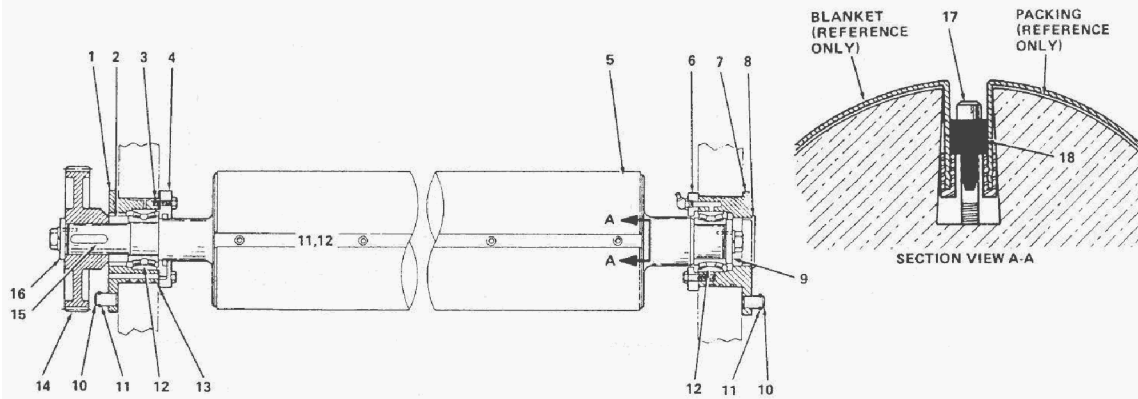
PLATE CYLINDER ASSEMBLY W/O CIRCUMFERENTIAL - 10 SIDE

| No. | Part No. | Description |
|-----|-----------------|-------------------------------------|
| 1 | 70182-0001 | Gear |
| 2 | 863313-0059 | Dowel Pin |
| 3 | 88171-0001 | Eccentric Sleeve (Small Journal) |
| | 38215-0001 | Eccentric Sleeve (Large Journal) |
| 4 | 891557-0143 | Oil Seal (Small Journal) |
| | 891559-4246 | Oil Seal (Large Journal) |
| 5 | 144552-0001 | Gasket |
| 6 | 88170-001 | End Plate |
| 7 | 40001-0168 | Dowel Pin |
| 8 | 144551-0001 | Gasket |
| 9 | 108639-0001 | Washer W/Pin |
| 10 | 885470-1927 | Retaining Ring |
| 11 | 141094-0001 | Register Indicator |
| 12 | 106851-0001 | Pointer |
| 13 | 144613-0001 | Adjusting Screw |
| | 116801-0001 | Adjusting Screw |
| 14 | 144608-0001 | Handle Assembly |
| 15 | 108440-0001 | Locking Nut |
| 16 | 94683-0001 | Hub |
| 17 | 144553-0001 | Washer |
| 18 | 68075-0001 | Eccentric Sleeve (Small Journal) |
| | 6677-0001 | Eccentric Sleeve (Large Journal) |
| 19 | 68078-0001 | Bracket |
| 20 | 116803-0001 | End Plate |
| 21 | See Lockup Assy | Plate Lockup Assembly |
| 22 | 4659-0001 | Cylinder - Standard (Small Journal) |
| | 7498-0001 | Cylinder - O.T.N. (Large Journal) |
| 23 | 722673-1328 | Bearing (Small Journal) |
| | 722673-1023 | Bearing (Large Journal) |
| 24 | 108636-0001 | Spacer |
| 25 | 68081-0001 | Gear Hub |
| 26 | 3424-0001 | Slip Washer |



800-284-7737

Quality Replacement Press Parts



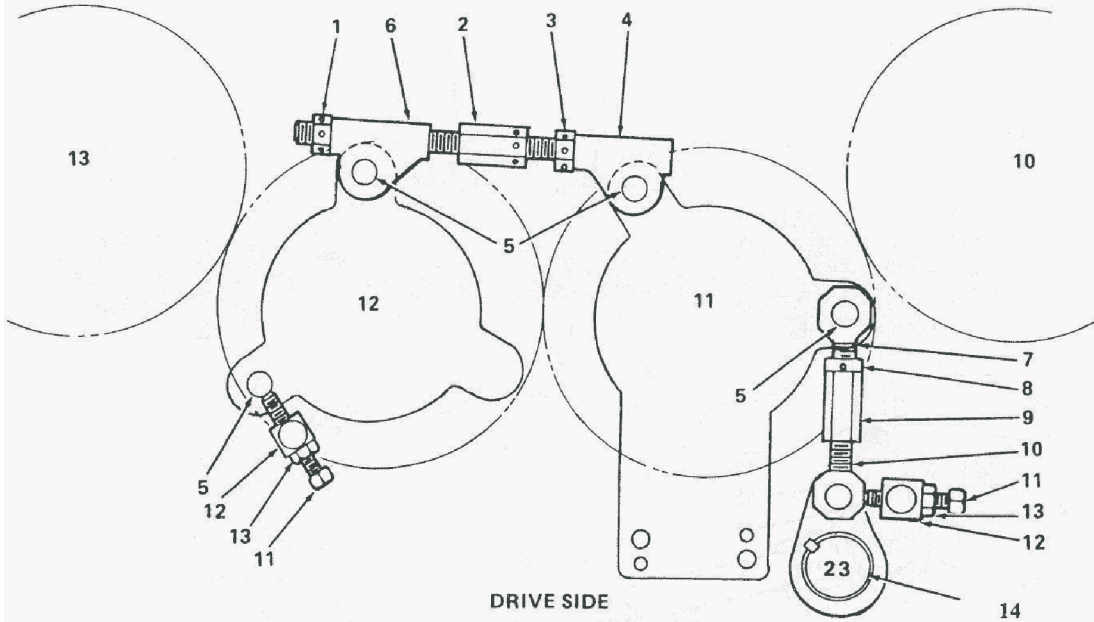
BLANKET CYLINDER ASSEMBLY WITHOUT CIRCUMFERENTIAL

| No. | Part No. | Description |
|-----|-------------|---|
| 1 | 88172-0001 | Eccentric Sleeve (Small Journal) |
| | 35981-0001 | Eccentric Sleeve (Large Journal #11 Cylinder) |
| | 35982-0001 | Eccentric Sleeve (Large Journal #12 Cylinder) |
| 2 | 108636-0001 | Spacer |
| 3 | 891557-0143 | Quad Ring Seal - SC (Small Bearing) |
| | 891559-4246 | Quad Ring Seal - SSC (Lg. Bearing) |
| 4 | 139391-0001 | End Plate (Retaining Cap) |
| | 149173-0001 | End Plate - O.T.N. |
| 5 | 4658-0001 | Cylinder (Small Journal) |
| | 7554-0001 | Cylinder (Large Journal) |
| 6 | 108447-0001 | End Plate |
| | 101636-0001 | End Plate - O.T.N. |
| 6A | 40160-1612 | Grease Fitting |
| 7 | 62010-0001 | Eccentric Sleeve (Small Journal) |
| | 35976-0001 | Eccentric Sleeve (Large Journal) |
| 8 | 865500-0400 | Plug |
| 9 | 148639-0001 | Washer W/Pin |
| 10 | 108420-0001 | Throwoff Pin |
| 11 | 40164-0062 | Retaining Ring |
| 12 | 722673-1328 | Bearing (Small Journal) |
| | 722673-1023 | Bearing (Large Journal) |
| 13 | 141874-0001 | Shim Set |
| | 141875-0005 | Shim Set |
| | 149172-0001 | Shim Set - O.T.N. |
| | 149174-0001 | Shim Set - O.T.N. |
| 14 | 70180-0001 | Gear #12 Cylinder |
| | 70181-0001 | Gear #11 Cylinder |
| 15 | 40003-0174 | Key |
| 16 | 108639-0001 | Washer W/Pin |
| 17 | 891201-0411 | Capscrew |
| 18 | 94681-0001 | T-Bar |
| | 100741-0001 | T-Bar (O.T.N.) |



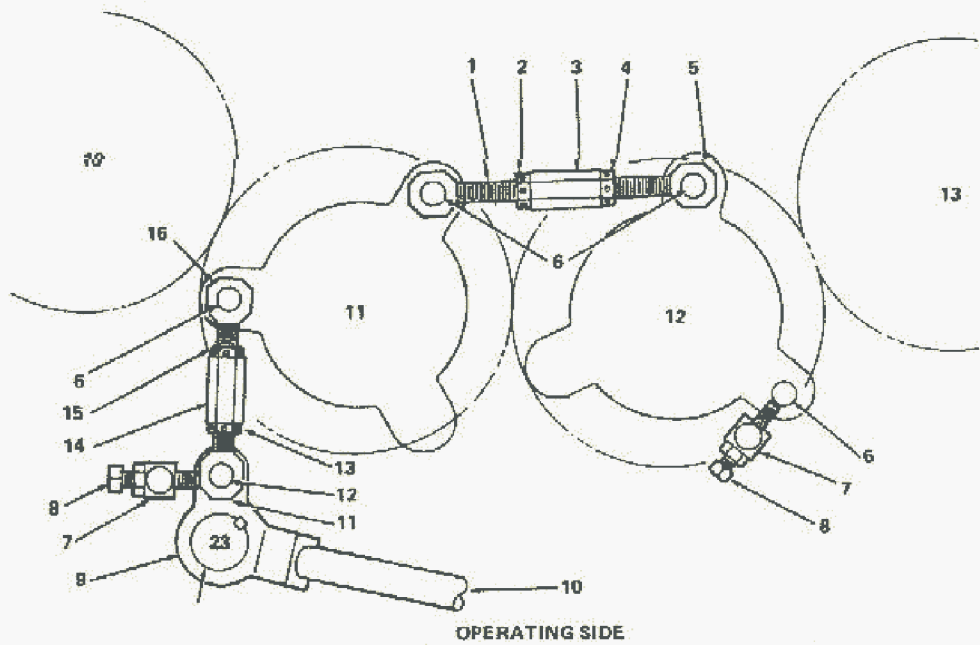
800-284-7737

Quality Replacement Press Parts



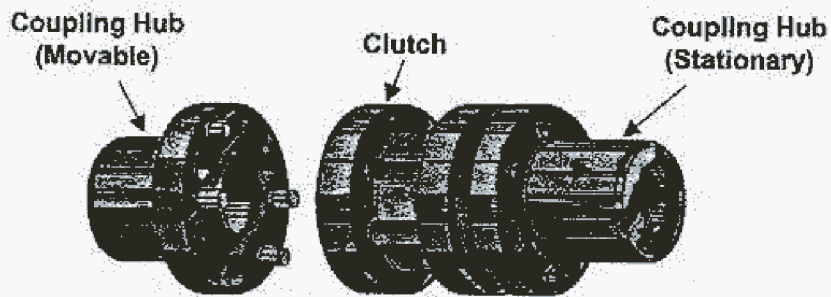
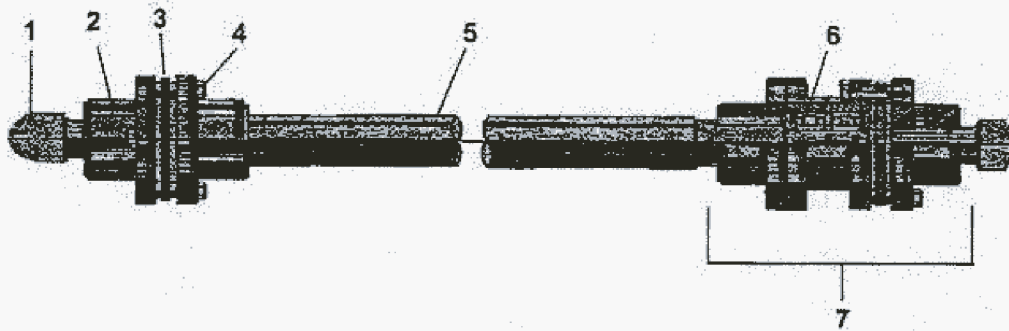
BLANKET CYLINDER THROWOFF LINKAGE - DRIVE SIDE(NEW STYLE)

| No. | Part No. | Description |
|-----|-------------|--|
| 1 | 143754-0001 | Locknut - Right Hand Thread |
| 2 | 143753-0001 | Adjusting Screw |
| 3 | 143754-0002 | Locknut - Left Hand Thread |
| 4 | 143752-0002 | Swing Nut - Left Hand Thread (Cannon Style) |
| 5 | 108420-0001 | Pin |
| 6 | 143752-0001 | Swing Nut - Right Hand Thread (Cannon Style) |
| 7 | 108417-0003 | Swing Bolt - Right Hand Thread (Short) |
| 8 | 116103-0001 | Lock Washer |
| 9 | 108416-0001 | Turnbuckle |
| 10 | 108417-0001 | Swing Bolt - Left Hand Thread (Short) |
| 11 | 40145-3716 | Set Screw |
| 12 | 108418-0001 | Poppet |
| 13 | 40149-3716 | Jam Nut |
| 14 | 108415-0001 | Throwoff Lever |
| 14A | 891557-0125 | Oil Seal |



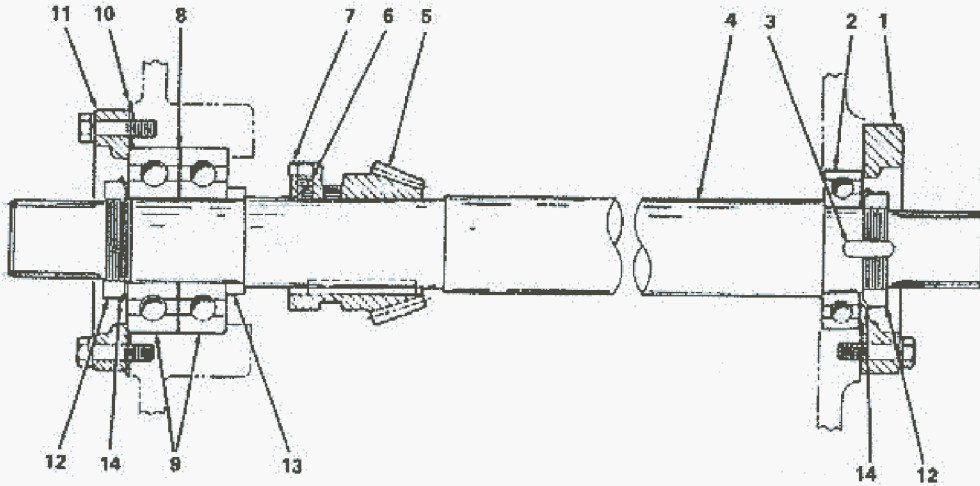
BLANKET CYLINDER THROWOFF LINKAGE (OLD STYLE)

| No. | Part No. | Description |
|-----|-------------|--|
| 1 | 108417-0002 | Swing Bolt - Left Hand Thread (long) |
| 2 | 143754-0002 | Locknut - Left Hand Thread |
| 3 | 143755-0001 | Turnbuckle |
| 4 | 143754-0001 | Locknut - Right Hand Thread |
| 5 | 108417-0004 | Swing Bolt - Right Hand Thread (long) |
| 6 | 108420-0001 | Pin |
| 7 | 108418-0001 | Poppet |
| 8 | 40145-3716 | Set Screw |
| 9 | 108414-0001 | Throwoff Lever |
| 10 | 108419-0001 | Throwoff Handle |
| 11 | 108417-0001 | Swing Bolt - Left Hand Thread (Short) |
| 12 | 109116-0001 | Pin |
| 13 | 143754-0002 | Locknut - Left Hand Thread |
| 14 | 108416-0001 | Turnbuckle |
| 15 | 143754-0001 | Locknut - Right Hand Thread |
| 16 | 108417-0003 | Swing Bolt - Right Hand Thread (Short) |



HORIZONTAL DRIVE CLUTCH (FLEXIBLE) UNIT TO UNIT

| No. | Part No. | Description |
|-----|-------------|---|
| 1 | 70381-0002 | Unit Shaft (Keyed) |
| | 70382-0001 | Unit Shaft (Splined) |
| 2 | 226-0001 | Thomas Coupling (Keyed, Splined, or Taperlock) |
| | 121992-0001 | Standard Splined Coupling |
| 3 | 226-1000 | Coupling Shim Pack |
| 4 | 226-1001 | Coupling Bolt Pack |
| 5 | 70404-0001 | Intermediate Shaft - Standard Splined |
| | 226-0007 | Intermediate Shaft - AJ1000 Clutch (Specify Length) |
| | 90092-0267 | Intermediate Shaft - Flexible Coupling |
| 6 | 40167-5207 | Bearing |
| 7 | 226-0005 | AJ1000 Clutch |



HORIZONTAL DRIVE ASSEMBLY

| No. | Part No. | Description |
|-----|-------------|----------------------------|
| 1 | 120009-0001 | End Plate - 10 Side |
| 2 | 722605-0573 | Bearing |
| 3 | 40003-0076 | Square Key |
| 4 | 62027-0001 | Drive Shaft (Grease) |
| | 70381-0001 | Drive Shaft (Oil) |
| 5 | 62029-0001 | Spiral Bevel Gear (Grease) |
| | 70178-0001 | Spiral Bevel Gear (Oil) |
| 6 | 105603-0002 | Spotting Set Screw |
| 7 | 40149-3716 | Jam Nut |
| 8 | 120142-0001 | Shim |
| 9 | 722605-0616 | Bearing |
| 10 | 120395-0005 | Shim |
| | 121464-0005 | Shim |
| 11 | 120395-0001 | End Plate - 13 Side |
| 12 | 40123-0109 | Locknut |
| 13 | 40065-4003 | Spacer |
| 14 | 40124-0109 | Lockwasher |

CENTRAL GRAPHICS, INC.

Tools

- Blanket Bolt Wrench 42
- Go / No Go Gauge 42
- Key Bar 42
- Unit Shifting Lever 42
- Unit Shifting Tool 42

Tubing

- Dampener Feed Roller 29

Turnbuckle

- Throwoff Linkage 5, 6

U

U-Bolt

- Plate Lockup 11

W

Washer

- Dampener Form Roller 30
- Dampener Fountain Roller 25
- Form Roller Shaft 31
- Ink Form Roller 20
- Ink Fountain Roller 14
- Locking 6

Wheels

- Paper Roll Cart 32

Worm

- Dampener Vibrator Drum 28

Worm Gear

- Ink Fountain Roller 14

Y

Yoke

- Plate Lockup 11

CENTRAL GRAPHICS, INC.

- Thumb 12
- Transfer Roller Socket 22
- Seal
 - Ink Fountain 12,13
- Set Screw
 - Ink Feed Throwoff 17
 - Lead-In Roller Socket 35
 - Paper Roll Core Chuck 33
 - Plate Lockup 11
 - Throwoff Assembly 5, 6
- Shaft
 - Compensator Assembly 38
 - Compensator Roller 38
 - Dampener Feed Roller 29
 - Dampener Form Roller 30
 - Drive 3
 - Drive Clutch 4
 - Form Roller 20, 31
 - Governor Roller 37
 - Horizontal Drive 3, 4
 - Idler Roller 36
 - Ink Feed Roller 17
 - Ink Feed Roller(OS) 18
 - Ink Feed Throwoff 17
 - Ink Transfer Roller 19
 - Ink Vibrator Drive 15
 - Intermediate Dampener Drum 27
 - Lead-In Roller 35, 37
 - Paper Roll 33
 - Paper Roll Eccentric 33
 - Plate Lockup 10, 11
- Shim
 - Blanket Cylinder 7
 - Horizontal Drive 3
- Shim Set
 - Compensator Assembly 38
 - Ink Fountain Roller 14
- Shoe
 - Paper Roll Tension Brake 34
- Sleeve
 - Eccentric 7
 - Plate Cylinder 9
 - Plate Lockup 10
- Slip Washer
 - Plate Cylinder 8
- Socket
 - Dampener Feed Roller 23
 - Form Roller 21
 - Ink Transfer Roller 22
- Spacer
 - Blanket Cylinder 7
 - Form Roller Shaft 31
 - Horizontal Drive 3
 - Ink Fountain Roller 14
- Spring
 - Dampener Roller Socket 23
 - Form Roller Throwoff 21
 - Ink Feed Throwoff 17
 - Ink Feed Throwoff(OS) 18
 - Plate Lockup 10, 11
 - Wash-up Device Scrapper 39
- Standpipe
 - Dampener Fountain 25
 - Fountain Pan 26
- Stripper Bolt
 - Plate Lockup 11
- Stud
 - Compensator Assembly 38
 - Paper Roll Sidelay Bar 33
- Support Bar
 - Ink Fountain 12
 - Ink Fountain Blade 13
- Support Plate
 - Inker Drive 15
 - Plate Lockup 11
- Swing Bolt
 - Throwoff Linkage 5, 6
- Swing Nut
 - Throwoff Linkage 5, 6
- Swivel Block
 - Plate Lockup 11
- T**
- T-Bar
 - Blanket Cylinder 7
- Throwoff Pin
 - Blanket Cylinder 7
- Thumb Screw
 - Ink Fountain 12

CENTRAL GRAPHICS, INC.

| | | | |
|--------------------------------|--|--|--------------------------------|
| P | | | Retaining Ring |
| Pan | | | Ink Feed Throwoff 17 |
| Dampener Fountain 25 | | | Intermediate Dampener Drum 27 |
| Water Fountain 26 | | | Rheostat |
| Pin | | | Dampener Motor 40 |
| Blanket Cylinder Throwoff 7 | | | Ring |
| Compensator Assembly 38 | | | Ink Fountain Pivot 13 |
| Dampener Feed Roller Socket 23 | | | Retaining 7 |
| Form Roller Shaft 31 | | | Rod |
| Governor Roller Bushing 37 | | | Compensator Assembly 38 |
| Ink Feed Throwoff 17 | | | Roll Pin |
| Ink Fountain 13 | | | Dampener Form Throwoff 31 |
| Plate Lockup 11 | | | Ink Drum 16 |
| Register Gear Rim Stop 24 | | | Ink Fountain 12 |
| Sidelay 11 | | | Ink Vibrator 15 |
| Throwoff Linkage 5, 6 | | | Water Pan 26 |
| Transfer Roller Socket 22 | | | Roller |
| Plate | | | Compensator 38 |
| Drive Clutch 4 | | | Dampener Fountain 25 |
| Horizontal Drive 3 | | | Governor 37 |
| Water Stop 26 | | | Idler 36 |
| Dampener Fountain 25 | | | Ink Feed 17 |
| Pointer | | | Ink Feed (OS) 18 |
| Plate Cylinder – 10s 8 | | | Ink Fountain 12, 14 |
| Plate Cylinder – 13s 9 | | | Lead-In 35, 37 |
| Poppet | | | Micrometric 17 |
| Dampener Roller Socket 23 | | | Micrometric(OS) 18 |
| Form Roller Socket 21 | | | |
| Ink Feed Throwoff 17 | | | S |
| Throwoff Linkage 5, 6 | | | Screw |
| Transfer Roller Adjusting 22 | | | Dampener Feed Roller Socket 23 |
| Pulley | | | Dampener Roller Socket 23 |
| Paper Roll Tension 33 | | | Form Roller Adjusting 21 |
| R | | | Form Roller Lock 21 |
| Register Screw | | | Form Roller Stop 21 |
| Plate Lockup 11 | | | Paper Roll Brake Tension 34 |
| Retainer | | | Paper Roll Sidelay 33, 34 |
| Ink Fountain Seal 12, 13 | | | Register 11 |
| Retaining Bar | | | Register Gear Rim 24 |
| Plate Lockup 10 | | | Set 6 |
| Retaining Plate | | | Spotting Set 3 |
| Water Stop 26 | | | Spring Securing 11 |
| | | | Spring Trip 11 |
| | | | Throwoff Linkage 6 |

CENTRAL GRAPHICS, INC.

I

- Indicator
 - Plate Cylinder – 10s 8
 - Plate Cylinder – 13s 9
- Ink Drum
 - Main and Auxiliary 16

J

- Jack Screw
 - Plate Lockup 11
- Jam Nut
 - Compensator Assembly 38
 - Ink Feed Throwoff 17
 - Plate Lockup 11
 - Register Gear Rim 24
 - Throwoff Linkage 6
 - Transfer Roller Socket 22

K

- Keeper
 - Plate Lockup 10
- Key
 - Blanket Cylinder 7
 - Dampener Fountain Roller 25
 - Drive Clutch 4
 - Ink Drum Gear 16
 - Ink Fountain 13
 - Ink Fountain Worm Gear 14
 - Paper Roll Core Chuck 33
 - Tension Pulley 33
- Key Band
 - Ink Fountain 13

L

- Lever
 - Auto Plate Lockup 9
 - Compensator Assembly 38
 - Form Roller Throwoff 31
 - Paper Roll Eccentric Brake 33
 - Plate Lockup 10
 - Spring Roller 37
 - Throwoff Linkage 5, 6

Link

- Dampener Vibrator Drum 28
- Form Roller Throwoff 21
- Paper Roll Tension Brake 34

Locking Nut

- Plate Lockup 11
- Sidelay 8

Locking Pawl

- Water Pan 26

Locking Washer

- Throwoff Linkage 6

Locknut

- Horizontal Drive 3
- Ink Fountain Roller 14
- Plate Cylinder Sidelay 9
- Throwoff Linkage 5, 6

Lockwasher

- Ink Feed Throwoff (OS) 18
- Ink Fountain Roller 14

M

Motor

- Dampener Fountain Roller 25

N

Nut

- Dampener Roller Socket Cam 23
- Jaw 3, 6
- Swing 6
- Tension Control Rod 34

O

O-Ring

- Ink Fountain 12, 13

Oil

- Pump 41
- Pump Gear 41

Oil Seal

- Plate Cylinder – 10s 8
- Plate Cylinder – 13s 9

CENTRAL GRAPHICS, INC.

Core

- Dampener Feed Roller 29
- Dampener Form Roller 30
- Ink Form Roller 20
- Ink Transfer Roller 19

Coupling

- Drive Clutch 4

Cover

- Control Panel 40

Cylinder

- Blanket 7
- Plate - 10s 8
- Plate - 13s 9

D

Dowel Pin

- Form Roller Shaft 31
- Paper Roll Core Chuck 33
- Plate Cylinder - 10s 8
- Plate Cylinder - 13s 9
- Plate Lockup 11

Drum

- Dampener Vibrator 28
- Auxiliary Ink 16
- Main Ink 16

E

Eccentric

- Form Roller Shaft 31
- Ink Feed Roller 17

Eccentric Sleeve

- Blanket Cylinder 7
- Plate Cylinder - 10s 8

Elbow

- Fountain Pan 26

End Plate

- Blanket Cylinder 7
- Dampener Drum Vibrator 28
- Ink Fountain 12
- Ink Fountain Roller 14
- Plate Cylinder - 10s 8
- Plate Lockup 11

Eyebolt

- Transfer Roller Socket 22

F

Fuse

- Dampener Motor 40

G

Gasket

- Plate Cylinder - 10s 8
- Plate Cylinder - 13s 9

Gauge

- Go/No Go 42

Gear

- Blanket Cylinder 7
- Dampener Vibrator Drive 28
- Dampener Vibrator Drum 28
- Horizontal Drive 3
- Ink Drum 16
- Ink Fountain Worm 14
- Ink Vibrator Drive 15
- Intermediate Dampener Drum 27
- Oil Pump 41
- Plate Cylinder - 10s 8
- Plate Cylinder - 13s 9
- Spiral Bevel 3

Gear Set

- Spiral Bevel 9

H

Hand Knob

- Compensator Assembly 38
- Ink Fountain 13

Handle

- Form Roller Throwoff 31
- Ink Feed Throwoff 17
- Plate Cylinder - 10s 8
- Throwoff Linkage 5

Handwheel

- Paper Roll Sidelay 34

Handwheel Hub

- Plate Cylinder Sidelay 9

Hub

- Ink Feed Throwoff 17
- Sidelay 8

CENTRAL GRAPHICS, INC.

INDEX

A

Adjusting Screw

- Plate Cylinder – 10s 8
- Sidelay 9
- Throwoff Linkage 6

B

Band

- Ink Fountain Key 12

Bar

- Clamp 10
- Plate Lockup 10
- Spring Retaining 10
- Wash-up Device Support 39

Bearing

- Blanket Cylinder 7
- Compensator Roller 38
- Dampener Feed Roller 29
- Dampener Form Roller 30
- Dampener Vibrator Drum 28
- Drive Clutch 4
- Governor Roller 37
- Horizontal Drive Assembly 3
- Idler Roller 36
- Ink Feed Roller 17
- Ink Form Roller 20
- Ink Fountain Roller 14
- Ink Transfer Roller 19
- Intermediate Dampener Drum 27
- Lead-In Roller 35
- Paper Roll Journal 33
- Plate Cylinder – 13s 9

Blade

- Ink Fountain 13
- Ink Fountain Knife 12
- Wash-up Device Scraper 39

Blanket

- Water Stop 26

Block

- Plate Lockup 11
- Register Gear Rim 24

Bolt

- Fountain Lockup 13
- Throwoff Linkage 5

Brace

- Ink Fountain 12

Bracket

- Ink Fountain 13
- Sidelay 9
- Wash-up Device 39

Bushing

- Dampener Fountain Roller 25
- Dampener Vibrator Drum 28
- Form Roller Throwoff 31
- Governor Roller 37
- Ink Drum 16
- Ink Feed Roller 17

Button

- Inch 40
- Stop / Safe 40

C

Cap Screw

- Blanket Cylinder 7
- Ink Fountain 12

Cart

- Paper Roll 32

Casters

- Paper Roll Cart 32

Chuck

- Paper Roll Core 33

Clamp Bar

- Plate Lockup 10

Clutch

- Horizontal Drive 4

Collar

- Compensator Assembly 38
- Form Roller 31
- Ink Feed Throwoff (OS) 18
- Lead-In Roller 35

Connector

- Dampener Fountain Roller 25
- Ink Drum 16